

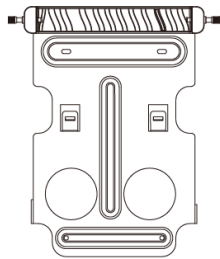
# MCore 4 Installation

## Package Contents

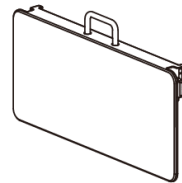
**NOTE**  
 We recommend using only the accessories provided or approved by Yealink. The use of unapproved third-party accessories may result in poor performance.



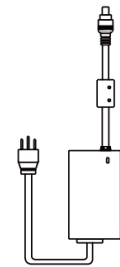
MCore 4



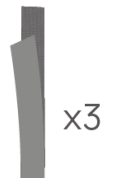
Mounting Bracket



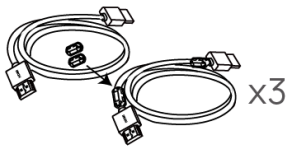
Cable Cover



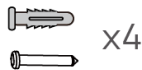
(2.1 m, 6.89 ft) Power Adapter  
(19V/4.7A)



3M Tape x3



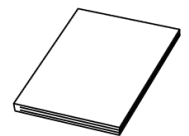
HDMI Cable (1.8 m) x3



x4  
 $\phi$  6\*30 mm Expansion Plug  
 T4\*30 mm Self-tapping Screw

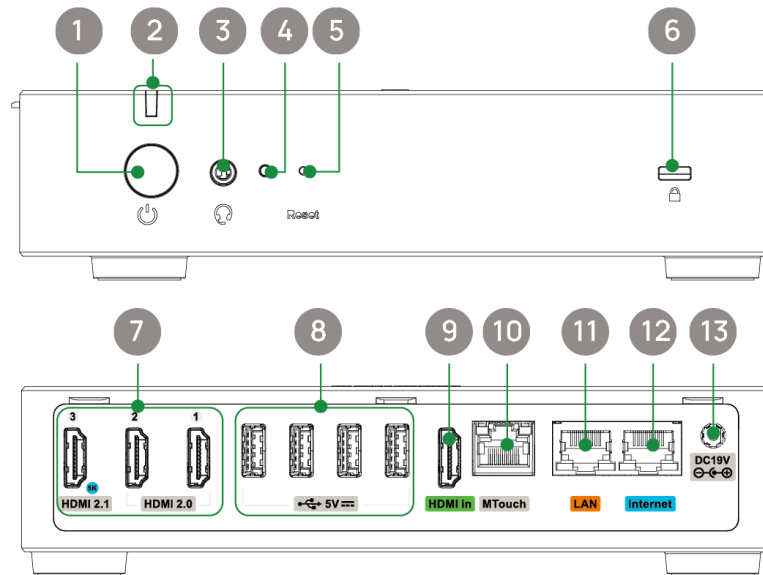


Silicone pad x2



Quick Start Guide

## Hardware Interface



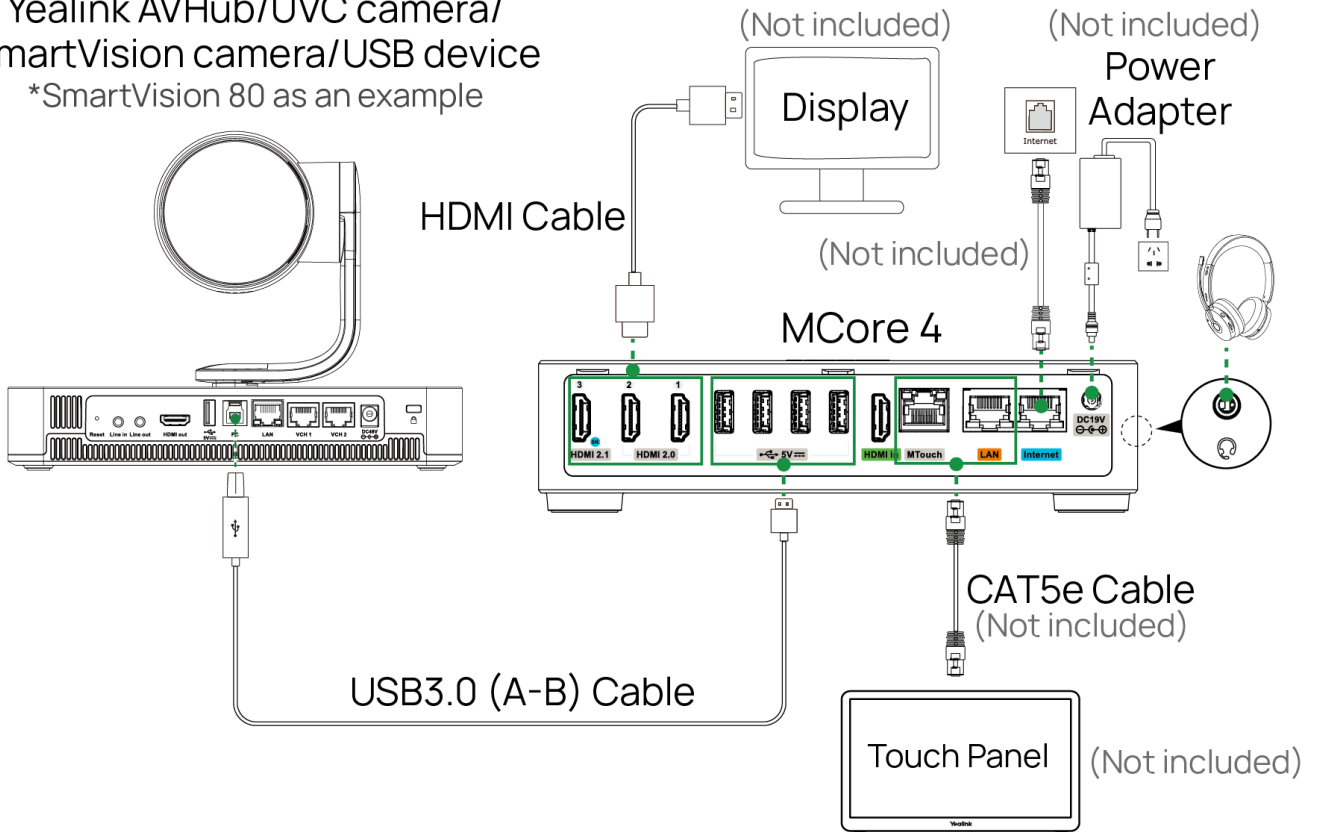
- ① Power on/off Button      ② LED Indicator      ③ 3.5mm Headphone Port    ④ HDD LED Indicator
- ⑤ Reset                      ⑥ Security Slot        ⑦ HDMI-Out Port            ⑧ USB3.0 Type-A Port
- ⑨ HDMI-In Port            ⑩ MTouch Port        ⑪ LAN Port                 ⑫ Internet Port
- ⑬ Power Supply Port

### MCore 4 Connection

**NOTE**

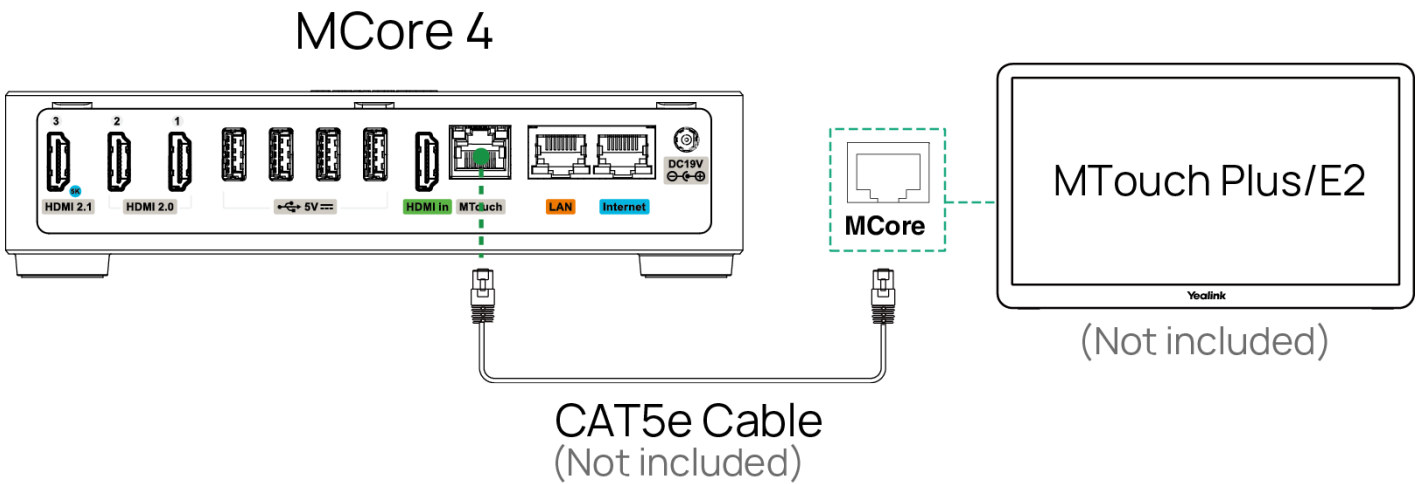
- When starting up the MCore 4 for the first time, you need to connect a mouse to complete the initial configuration. We recommend using a wireless mouse and keyboard kit.
- When the MCore 4 is used with Microsoft Teams Rooms, it is advisable to set the output resolution to 1080P. If this configuration cannot be adjusted normally, consider purchasing an EDID emulator.

Yealink AVHub/UVC camera/  
SmartVision camera/USB device  
\*SmartVision 80 as an example



**Connecting MTouch Plus/E2 with MCore 4**

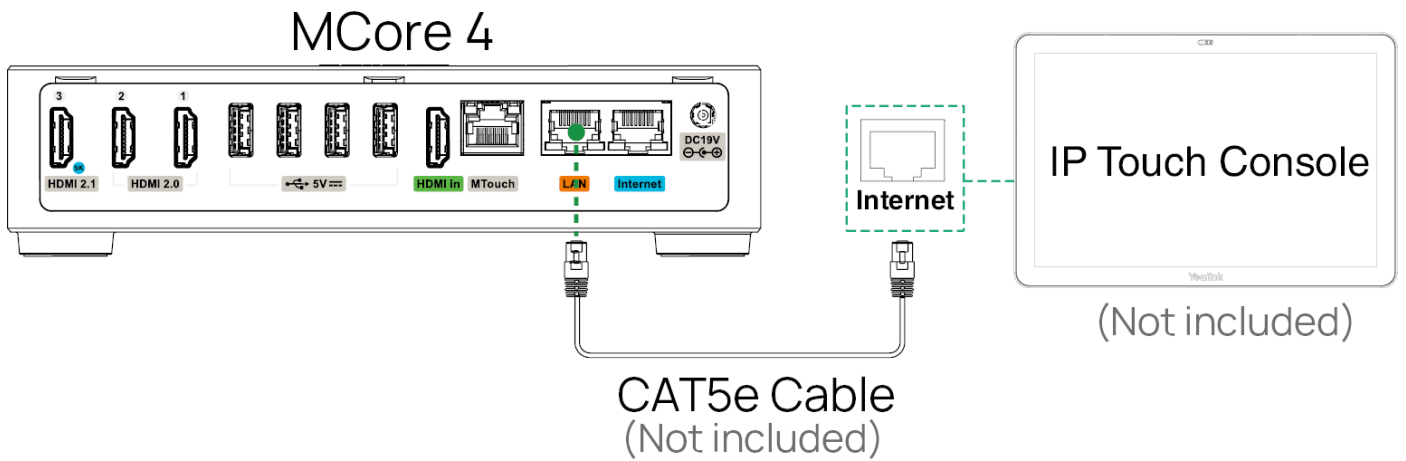
Use a network cable to connect the MTouch Plus/E2 to the MCore 4.



**Connecting the IP Touch Console with MCore 4**

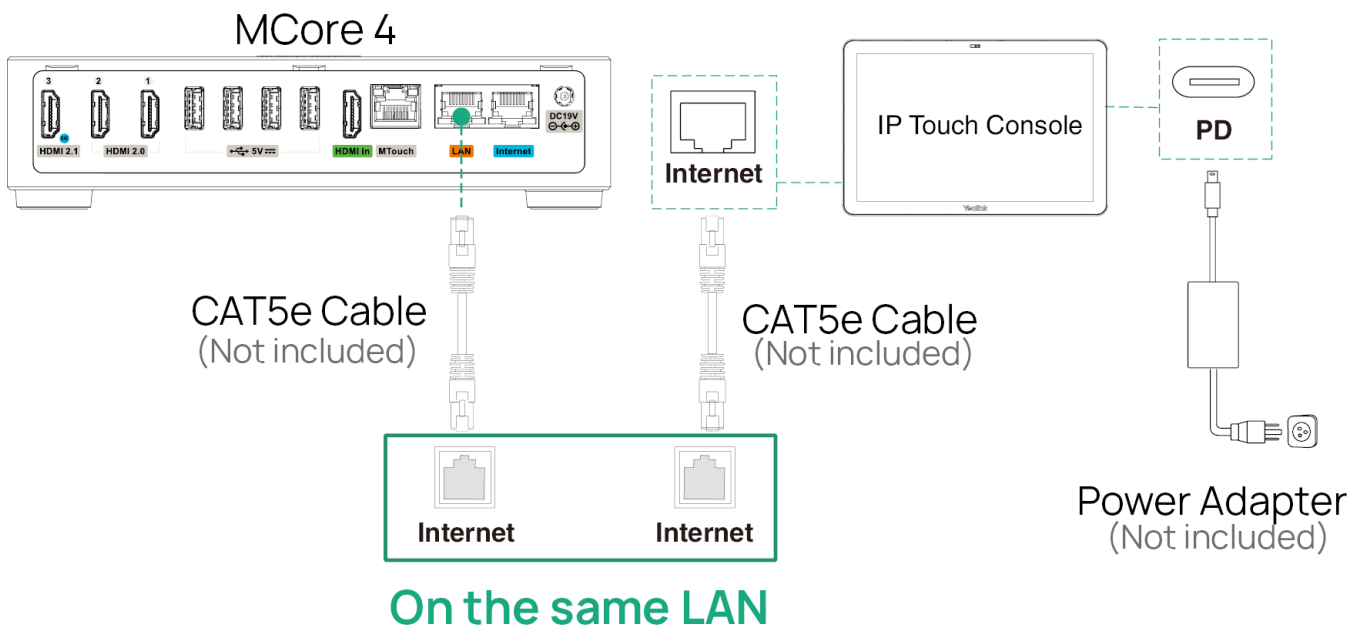
**Option 1: Direct Connection with an Ethernet Cable**

Use a network cable to connect the IP Touch Console directly to the MCore 4.



**Option 2: Connection on the Same LAN**

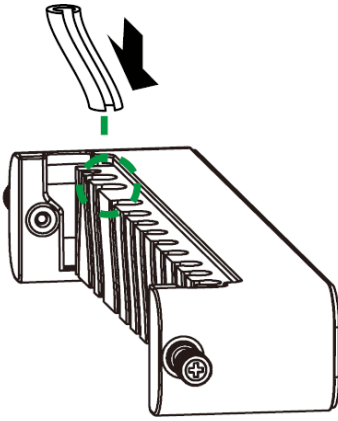
Ensure that both the MCore 4 and the IP Touch Console are on the same LAN.



**MCore 4 Installation Requirements**

**NOTE**

1. This product is not suitable for completely enclosed environments, such as fully enclosed cabinets or boxes.
2. Ensure there are no obstructions within 1 cm of the side air outlet and air inlet of the device.
3. If the cable is too thin, it is advisable to install a silicone pad to secure the cable before proceeding with wiring, as shown in the figure below.



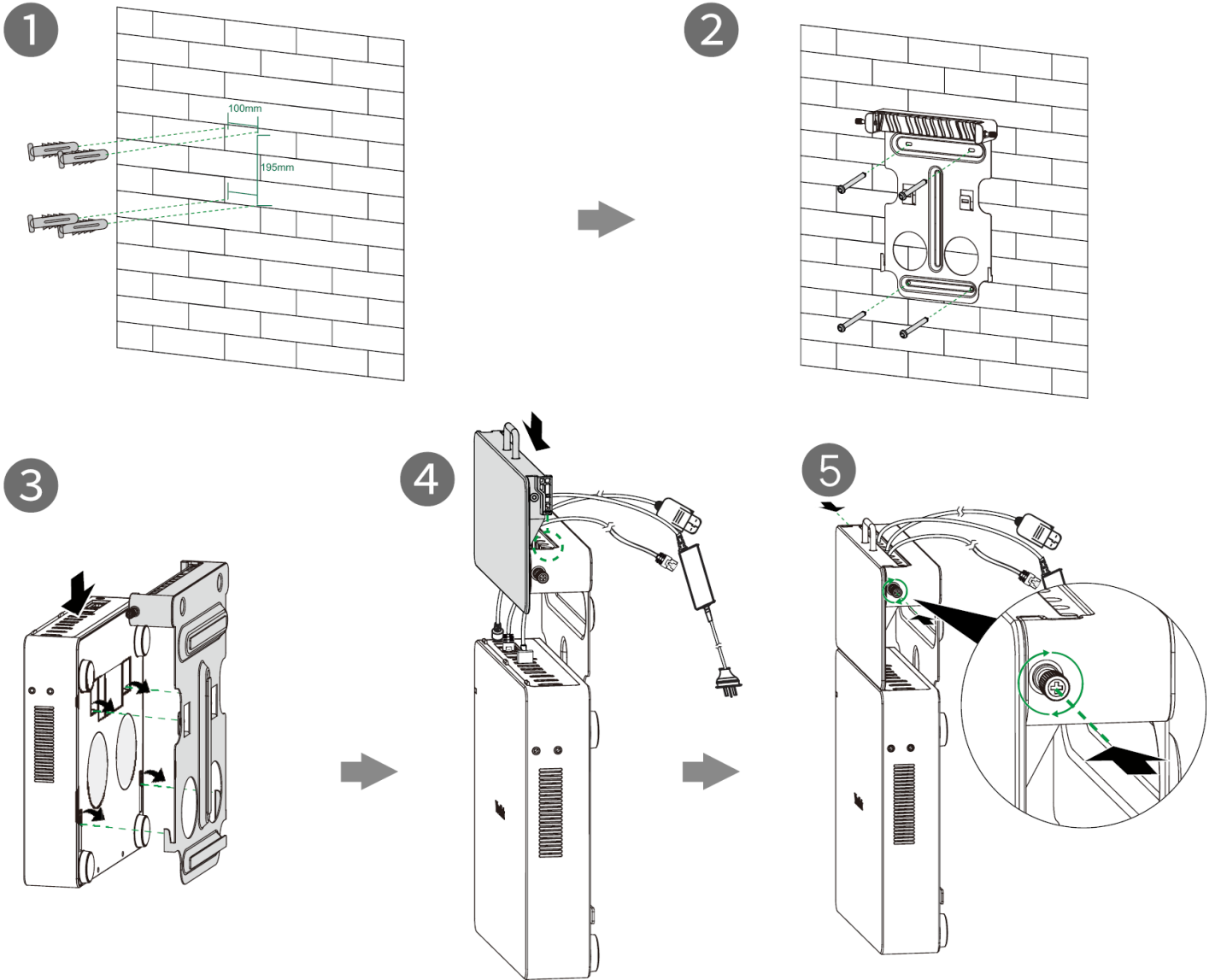
## Mounting Options

### Wall Mount

#### **NOTE**

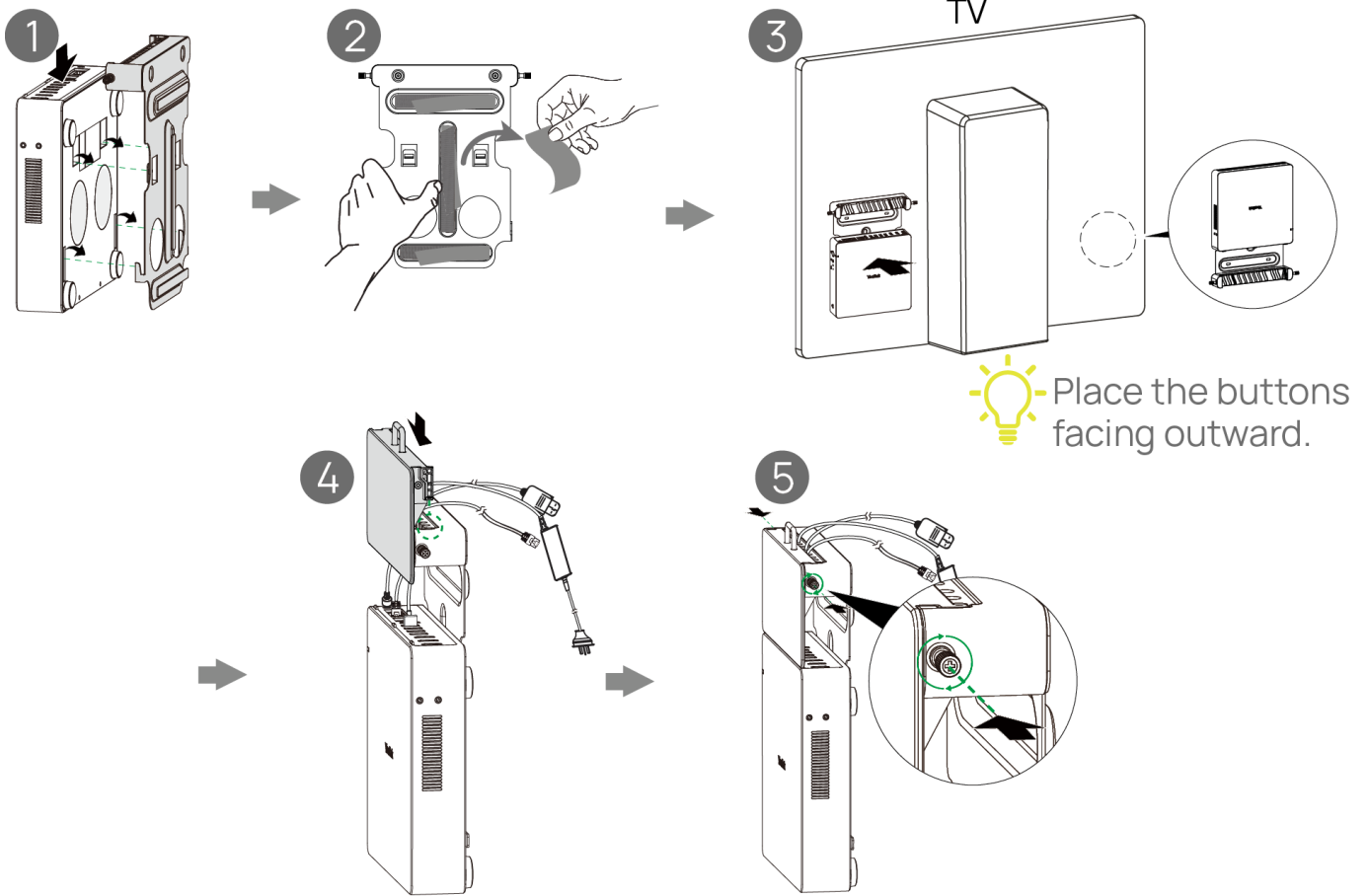
Before mounting the bracket, confirm the installation direction of the MCore 4. Once the bracket is mounted, the installation direction cannot be changed.

Hole depth: 30 mm  
Hole diameter: 6 mm



**TV Mount**

After applying the 3M tape, use a pen or other cylindrical object to firmly press the tape. Once the mounting bracket is attached to the TV, wait one day before installing the MCore 4.



**NOTE**

Before mounting the bracket, confirm the installation direction of the MCore 4. Once the bracket is mounted, the installation direction cannot be changed.

**Cable Replacement**

