

FortiSwitch-AX Series

FS-AX2340S series, FS-AX2630S series, FS-AX3660S series, and FS-AX600F series

(Sold exclusively in Australia, Japan, Malaysia, and Taiwan)



Highlights

- Up to 10 Gigabit access
- Up to 100 Gigabit uplinks
- Fast network convergence
- Layer 2 and 3 options
- PoE options
- Fanless options
- DC powered options
- Support for BGP4+ and BFD
- IPv4 Policy Based Routing (PBR)
- Rapid switch over as little as sub 50ms failover
- Redundancy protocols
- Loop prevention
- In service software updates
- Hot swappable power supplies
- Stackable
- Support for IPv4 and IPv6
- Front to back air flow support

AX. High performance, resilience, and flexible Ethernet networking

Today's enterprises demand high-performance, reliable, scalable network infrastructure to support ever-increasing bandwidth demands and evolving business needs. Fortinet FortiSwitch AX which complements the FortiSwitch Security Fabric Ethernet Switch lines, addresses these challenges with a comprehensive feature set designed for enterprise performance, reliability, and scalability.

Business Challenges

Modern Ethernet networks face key challenges, including supporting the increasing proliferation of devices and bandwidth-intensive applications, which demands high-speed, low-latency infrastructure without compromising network reliability. High availability and rapid failover are critical as downtime directly impacts productivity and revenue. These same networks must be scalable and flexible to adapt to growth and support diverse deployments.

FortiSwitch AX

The Fortinet FortiSwitch AX family of Ethernet switches delivers high-performance line rate Ethernet switching with the versatility, resilience, and ease of management required for campus, branch, and data center environments.

Use Cases

Branch

As businesses continue to adapt to changing physical office needs, the distributed enterprise with geographically dispersed offices offers increased flexibility with the ability to scale up and down as demands change. FortiSwitch AX offers the features and flexibility to meet these ever-evolving needs.

Campus

The traditional campus network is undergoing notable change as businesses adjust their in-office requirements for their employees. The need for scalable, reliable performance however has not changed. FortiSwitch AX offers the resilience and performance needed to address the next generation campus.

Data Center

The data center is recognized and the most demanding Ethernet environment. High speed, fault tolerance, cooling capabilities, routing, and network convergence are all key elements to this dynamic environment. FortiSwitch AX offers key features to address all of these requirements and more.

High-Performance Network Infrastructure

High-Speed, Low-Latency Switching

- Up to 10 Gigabit access ports and 100 Gigabit uplink ports ensure high-performance connectivity. Fast network convergence minimizes disruption during network changes

Versatile Deployment Options

- Support for Layer 2 and Layer 3 switching, simplify network segmentation and management
- PoE options, fanless models, and DC power options to satisfy the needs of various environments

High-Performance Routing (Supported FS-AX3660S only)

- Enables scalability and efficient network path utilization with support for BGP4+, BFD, and IPv4 Policy Based Routing (PBR)

Resilience and High Availability

- Fault-Tolerant Design
- Rapid sub-50ms failover, redundancy protocols, and loop prevention mechanisms ensure network uptime
- Simplified Maintenance: In-service software updates and hot-swappable power supplies minimize downtime during maintenance

Scalable Enterprise-Grade Features

Flexible Deployment

- Stackable design, compatibility with IPv4 and IPv6

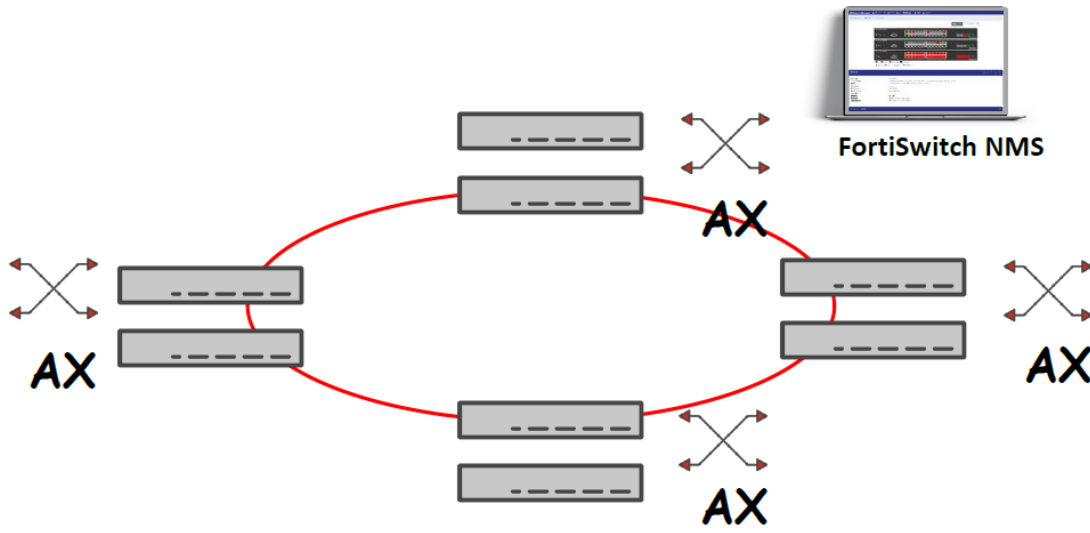
Efficient Cooling

- Front-to-back airflow support ensures optimal operating temperatures in high-density deployments



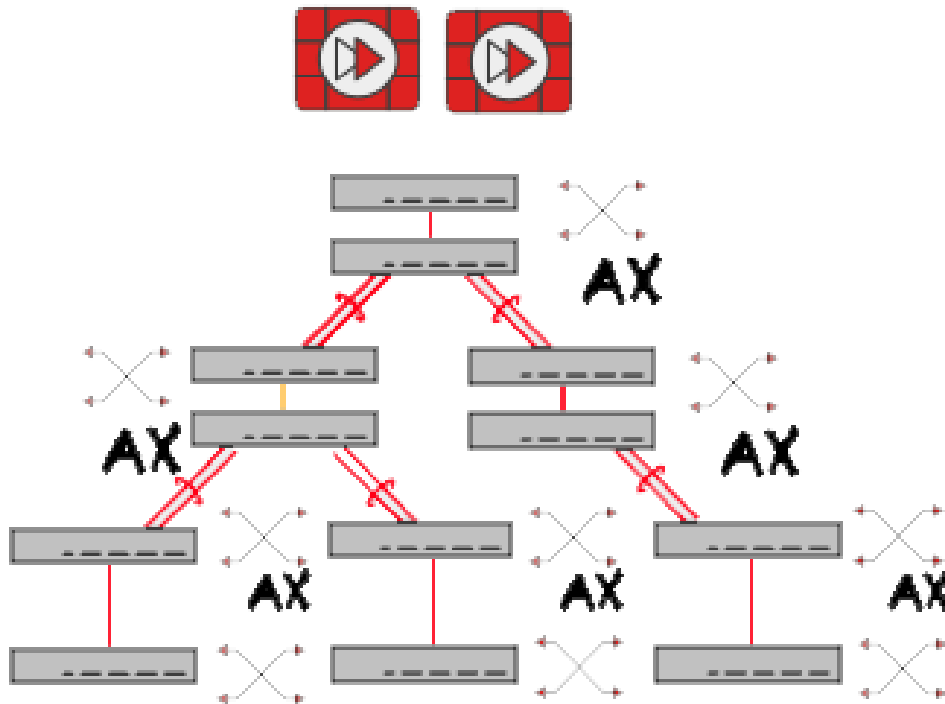
Deployment Options

Ring Topology



- Resilient
- Fast Convergence
- In-Service Software Upgrades
- Stacking

Star Topology



- Multi-vendor interoperable
- Stacking
- Robust and proven layer 3 routing and layer 2 switching



FortiSwitch AX Series

FS-AX2340S and FS-AX2630S Access Switch Series

- Ideal for Layer 2 access requirements in campus and branch deployments
 - Provides 1GE access ports, 16 to 48 port options, and up to 4 × 10GE SFP+ and 2 × 1GE SFP uplinks. Features PoE, fanless, and DC-powered options for quiet and flexible deployment options
-

FS-AX3660S Core Switch Series

- Ideal for high-performance and high-availability Layer 3 access requirements in campus cores and data centers
 - Provides 1GE and 10GE access ports, 24 to 48 port options, and up to 4× 100 GE QSFP28 uplinks. Features redundant hot-swappable power supplies, DC power options, and both front-to-back and reverse back-to-front cooling options
-

FS-AX600F Access Switch Series

- Ideal for Layer 2 access requirements in campus and branch deployments
 - Provides mGig access ports, 24 to 48 port options, and up to 10GE SFP+ and 25GE SFP28 uplinks. Features PoE and redundant hot-swappable power supplies options
-

Conclusion

Fortinet's Ethernet switching solutions including FortiSwitch and now FortiSwitch AX deliver the performance, reliability, and scalability required for today's demanding enterprise networks. With a comprehensive feature set, flexible deployment options, and a commitment to innovation, Fortinet empowers organizations to build future-proof network infrastructure that can adapt to evolving business needs.



Product Offerings

FS-AX2340S Series Model Numbers

- FS-AX2340S-16T4X
- FS-AX2340S-24T4X
- FS-AX2340S-24TH4X
- FS-AX2340S-48T4X
- FS-AX2340S-24P4X
- FS-AX2340S-24PH4X
- FS-AX2340S-48P4X
- FS-AX2340S-16P8MP2X

FS-AX2630S Series Model Numbers

- FS-AX2630S-24T4XW
- FS-AX2630S-48T4XW
- FS-AX2630S-24P4XW
- FS-AX2630S-48P4XW

Features

FEATURES	FS-AX2340S SERIES	FS-AX2630S SERIES
Layer 2		
Auto-negotiation for Port Speed and Duplex	✓	✓
Edge Port / Port Fast	✓	✓
IEEE 802.1AX Link Aggregation	✓	✓
IEEE 802.1D MAC Bridging/STP	✓	✓
IEEE 802.1Q VLAN Tagging	✓	✓
IEEE 802.1s Multiple Spanning Tree Protocol (MSTP)	✓	✓
IEEE 802.1w Rapid Spanning Tree Protocol (RSTP)	✓	✓
IEEE 802.3 10Base-T	✓	✓
IEEE 802.3ab 1000Base-T	✓	✓
IEEE 802.3ad Link Aggregation with LACP	✓	✓
IEEE 802.3ae 10 Gigabit Ethernet	✓	✓
IEEE 802.3az Energy Efficient Ethernet	✓	✓
IEEE 802.3bz Multi Gigabit Ethernet	✓ ¹	—
IEEE 802.3 CSMA/CD Access Method and Physical Layer Specifications	✓	✓
IEEE 802.3u 100Base-TX	✓	✓
IEEE 802.3x Flow Control and Back-pressure	✓	✓
IEEE 802.3z 1000Base-SX/LX	✓	✓
Jumbo Frames	✓	✓
LAG min/max bundle	✓	✓
Loop Guard	✓	✓
MAC, Ethertype-based VLANs	✓	✓
MDI/MDIX Auto-crossover	✓	✓
Per-port storm control	✓	✓
PVST+	✓	✓
Rapid PVST interoperation	✓	✓
Spanning Tree Instances (MSTP/CST)	✓	✓
Storm Control	✓	✓
STP BPDU Guard	✓	✓
STP Root Guard	✓	✓
Unicast/Multicast traffic balance over trunking port	✓	✓
Services		
IGMP Snooping	✓	✓
MLD Snooping	✓	✓

FEATURES	FS-AX2340S SERIES	FS-AX2630S SERIES
Security and Visibility		
ACL	✓	✓
Admin Authentication Via RFC 2865 RADIUS	✓	✓
DHCP-Snooping	✓	✓
Dynamic ARP Inspection	✓	✓
IEEE 802.1ab Link Layer Discovery Protocol (LLDP)	✓	✓
IEEE 802.1X Authentication Port-based	✓	✓
IEEE 802.1X Dynamic VLAN Assignment	✓	✓
IEEE 802.1X EAP pass-through	✓	✓
IEEE 802.1X Guest and Fallback VLAN	—	—
MAC Authentication	✓	✓
Policy-based Mirroring	—	✓
Port Mirroring	✓	✓
Radius Accounting	✓	✓
sFlow	✓	✓
Web Authentication	✓	✓
High Availability		
GSRP	✓ ³	✓ ³
Ring protocol	✓ ²	✓
Stackable	—	✓
Quality of Service		
IEEE 802.1p Based Priority Queuing	✓	✓
IP TOS/DSCP Based Priority Queuing	✓	✓
Management		
DHCP server	✓	✓
Display Average Bandwidth and Allow Sorting on Physical Port / Interface Traffic	✓	✓
HTTP / HTTPS	—	—
IPv4 and IPv6 Management	✓	✓
NTP	✓	✓
Packet Capture	✓	✓
Provide warning if L2 table is getting full	—	—
Python script	✓	✓
RMON Group 1	✓	✓
SNMP v1/v2c/v3	✓	✓
SNMP v3 traps	✓	✓
Software download/upload: TFTP/FTP/GUI	TFTP/FTP	TFTP/FTP
Standard CLI and Web GUI Interface	CLI	CLI
Syslog UDP/TCP	UDP	UDP
System Temperature and Alert	✓	✓
Telnet / SSH	✓	✓

¹ FS-AX2340S-16P8MP2X

² Transit mode

³ Gigabit Switch Redundancy Protocol, GSRP Aware function only



Product Offerings

FS-AX3660S Series Model Numbers

- FS-AX3660S-24T4X
- FS-AX3660S-24T4XW
- FS-AX3660S-48T4XW
- FS-AX3660S-24S8XW
- FS-AX3660S-48XT4QW
- FS-AX3660S-48X4QW

Features

FEATURES	24T4X	24T4XW	48T4XW	24S8XW	48XT4QW	48X4QW
Layer 2						
Auto-negotiation for Port Speed and Duplex	✓	✓	✓	✓	✓	✓
Auto topology	—	—	—	—	—	—
Dynamically shared packet buffers	—	—	—	—	—	—
Edge Port / Port Fast	✓	✓	✓	✓	✓	✓
IEEE 802.1ad QinQ	—	—	—	—	—	—
IEEE 802.1AX Link Aggregation	✓	✓	✓	✓	✓	✓
IEEE 802.1D MAC Bridging/STP	✓	✓	✓	✓	✓	✓
IEEE 802.1Q VLAN Tagging	✓	✓	✓	✓	✓	✓
IEEE 802.1s Multiple Spanning Tree Protocol (MSTP)	✓	✓	✓	✓	✓	✓
IEEE 802.1w Rapid Spanning Tree Protocol (RSTP)	✓	✓	✓	✓	✓	✓
IEEE 802.3 10Base-T	✓	✓	✓	✓	—	✓
IEEE 802.3ab 1000Base-T	✓	✓	✓	✓	✓	✓
IEEE 802.3ad Link Aggregation with LACP	✓	✓	✓	✓	✓	✓
IEEE 802.3ae 10 Gigabit Ethernet	✓	✓	✓	✓	✓	✓
IEEE 802.3az Energy Efficient Ethernet	—	—	—	—	—	—
IEEE 802.3ba, 802.3bj, and 802.3bm 40 and 100 Gigabit Ethernet	—	—	—	—	✓	✓
IEEE 802.3bz Multi Gigabit Ethernet	—	—	—	—	—	—
IEEE 802.3 CSMA/CD Access Method and Physical Layer Specifications	✓	✓	✓	✓	✓	✓
IEEE 802.3u 100Base-TX	✓	✓	✓	✓	✓	✓
IEEE 802.3x Flow Control and Back-pressure	✓	✓	✓	✓	✓	✓
IEEE 802.3z 1000Base-SX/LX	✓	✓	✓	✓	✓	✓
Ingress Pause Metering	—	—	—	—	—	—
Jumbo Frames	✓	✓	✓	✓	✓	✓
LAG min/max bundle	✓	✓	✓	✓	✓	✓
Loop Guard	✓	✓	✓	✓	✓	✓
MAC, Ethertype-based VLANs	✓	✓	✓	✓	✓	✓
MDI/MDIX Auto-crossover	✓	✓	✓	✓	✓	✓
Per-port storm control	✓	✓	✓	✓	✓	✓
Priority-based Flow Control (802.1Qbb)	—	—	—	—	—	—
Private VLAN	—	—	—	—	—	—
PVST+	✓	✓	✓	✓	✓	✓
Rapid PVST interoperation	✓	✓	✓	✓	✓	✓
Spanning Tree Instances (MSTP/CST)	✓	✓	✓	✓	✓	✓
Split Port (QSFP+ breakout to 4×10G SFP+ or 4×1G SFP)	—	—	—	—	—	—
Storm Control	✓	✓	✓	✓	✓	✓
STP BPDU Guard	✓	✓	✓	✓	✓	✓
STP Root Guard	✓	✓	✓	✓	✓	✓
Time-Domain Reflectometry (TDR) Support	—	—	—	—	—	—
Unicast/Multicast traffic balance over trunking port	✓	✓	✓	✓	✓	✓
Virtual-Wire	—	—	—	—	—	—
VLAN Mapping	—	—	—	—	—	—
VXLAN ¹	✓	✓	✓	✓	✓	✓



Features

FEATURES	24T4X	24T4XW	48T4XW	24S8XW	48XT4QW	48X4QW
Services						
IGMP proxy / querier	—	—	—	—	—	—
IGMP Snooping	☑	☑	☑	☑	☑	☑
MLD proxy / querier	—	—	—	—	—	—
MLD Snooping	☑	☑	☑	☑	☑	☑
Layer 3						
BGP4+ ¹	☑	☑	☑	☑	☑	☑
Bidirectional Forwarding Detection (BFD)	☑	☑	☑	☑	☑	☑
DHCP Relay	☑	☑	☑	☑	☑	☑
DHCP server	☑	☑	☑	☑	☑	☑
Dynamic Routing Protocols: OSPFv2 ¹ , RIPv2, VRRP, BGP ¹	☑	☑	☑	☑	☑	☑
ECMP	☑	☑	☑	☑	☑	☑
Filtering routemaps based on routing protocol	☑	☑	☑	☑	☑	☑
IP conflict detection and notification	☑	☑	☑	☑	☑	☑
IPv6 route filtering	☑	☑	☑	☑	☑	☑
Multicast Protocols: PIM-SM, PIM-SSM	☑	☑	☑	☑	☑	☑
OSPFv3 ¹	☑	☑	☑	☑	☑	☑
Policy-based routing (IPv4) ¹	☑	☑	☑	☑	☑	☑
Static Routing (Hardware-based)	☑	☑	☑	☑	☑	☑
Unicast Reverse Path Forwarding - uRPF	—	—	—	—	—	—
VRF ¹	☑	☑	☑	☑	☑	☑
Security and Visibility						
ACL	☑	☑	☑	☑	☑	☑
ACL Multiple Ingress	—	—	—	—	—	—
ACL Multistage	—	—	—	—	—	—
ACL Schedule	—	—	—	—	—	—
Admin Authentication Via RFC 2865 RADIUS	☑	☑	☑	☑	☑	☑
Assign VLANs via Radius attributes (RFC 4675)	—	—	—	—	—	—
DHCP-Snooping	☑	☑	☑	☑	☑	☑
Dynamic ARP Inspection	☑	☑	☑	☑	☑	☑
Flow Export (NetFlow and IPFIX)	—	—	—	—	—	—
IEEE 802.1ab Link Layer Discovery Protocol (LLDP)	☑	☑	☑	☑	☑	☑
IEEE 802.1ab LLDP-MED	—	—	—	—	—	—
IEEE 802.1ae MAC Security (MAC Sec)	—	—	—	—	—	—
IEEE 802.1X Authentication Port-based	☑	☑	☑	☑	☑	☑
IEEE 802.1X Dynamic VLAN Assignment	☑	☑	☑	☑	☑	☑
IEEE 802.1X EAP pass-through	☑	☑	☑	☑	☑	☑
IEEE 802.1X Guest and Fallback VLAN	—	—	—	—	—	—
IEEE 802.1X open auth	—	—	—	—	—	—
IP source guard	☑	☑	☑	☑	☑	☑
IPv6 RA Guard	☑	☑	☑	☑	☑	☑
LLDP-MED ELIN support	—	—	—	—	—	—
MAC Authentication	☑	☑	☑	☑	☑	☑
MAC-IP Binding	—	—	—	—	—	—
Per-port and per-VLAN MAC learning limit	—	—	—	—	—	—
Policy-based Mirroring	☑	☑	☑	☑	☑	☑
Port Mirroring	☑	☑	☑	☑	☑	☑
Radius Accounting	☑	☑	☑	☑	☑	☑
Radius CoA (Change of Authority)	—	—	—	—	—	—
sFlow	☑	☑	☑	☑	☑	☑
Sticky MAC and MAC Limit	—	—	—	—	—	—
Wake on LAN	—	—	—	—	—	—
Web Authentication	☑	☑	☑	☑	☑	☑



Features

FEATURES	24T4X	24T4XW	48T4XW	24S8XW	48XT4QW	48X4QW
High Availability						
GSRP	☑ ³	☑ ³	☑ ³	☑ ³	☑ ³	☑ ³
Multi-Chassis Link Aggregation (MCLAG)	—	—	—	—	—	—
Ring protocol ²	☑	☑	☑	☑	☑	☑
Stackable	☑	☑	☑	☑	☑	☑
Quality of Service						
Egress priority tagging	—	—	—	—	—	—
Explicit Congestion notification	—	—	—	—	—	—
IEEE 802.1p Based Priority Queuing	☑	☑	☑	☑	☑	☑
IP TOS/DSCP Based Priority Queuing	☑	☑	☑	☑	☑	☑
Management						
Automation Stitches	—	—	—	—	—	—
Display Average Bandwidth and Allow Sorting on Physical Port / Interface Traffic	☑	☑	☑	☑	☑	☑
Dual Firmware Support	—	—	—	—	—	—
HTTP / HTTPS	—	—	—	—	—	—
IPv4 and IPv6 Management	☑	☑	☑	☑	☑	☑
Link Monitor	☑	☑	☑	☑	☑	☑
Managed from FortiGate	—	—	—	—	—	—
NTP	☑	☑	☑	☑	☑	☑
Packet Capture	☑	☑	☑	☑	☑	☑
Provide warning if L2 table is getting full	—	—	—	—	—	—
Python script	☑	☑	☑	☑	☑	☑
RMON Group 1	☑	☑	☑	☑	☑	☑
SNMP v1/v2c/v3	☑	☑	☑	☑	☑	☑
SNMP v3 traps	☑	☑	☑	☑	☑	☑
Software download/upload: TFTP/FTP/GUI	TFTP/FTP	TFTP/FTP	TFTP/FTP	TFTP/FTP	TFTP/FTP	TFTP/FTP
Standard CLI and Web GUI Interface	CLI	CLI	CLI	CLI	CLI	CLI
Support for HTTP REST APIs for Configuration and Monitoring	—	—	—	—	—	—
Syslog UDP/TCP	UDP	UDP	UDP	UDP	UDP	UDP
System alias command	—	—	—	—	—	—
System Temperature and Alert	☑	☑	☑	☑	☑	☑
Telnet / SSH	☑	☑	☑	☑	☑	☑
Services						
IEEE 1588 PTP (Transparent Clock)	☑	☑	☑	☑	☑	☑
SYNC-E ⁴	—	—	—	—	—	☑

¹ Requires L3 Advanced Option License.

² Requires L3 Advance Option License for High-speed Ring switching (less than 50 ms).

³ Gigabit Switch Redundancy Protocol

⁴ Requires 'Sync-E Option' License.



Product Offerings

FS-AX600F Series Model Numbers

- FS-AX624F
- FS-AX648F
- FS-AX624F-FPOE
- FS-AX648F-FPOE

Features

FEATURES	FS-AX624F/ FS-AX624F-FPOE	FS-AX648F/ FS-AX648F-FPOE
Layer 2		
Auto-negotiation for Port Speed and Duplex	☑	☑
Auto topology	—	—
Dynamically shared packet buffers	—	—
Edge Port / Port Fast	☑	☑
IEEE 802.1ad QinQ	—	—
IEEE 802.1AX Link Aggregation	☑	☑
IEEE 802.1D MAC Bridging/STP	☑	☑
IEEE 802.1Q VLAN Tagging	☑	☑
IEEE 802.1s Multiple Spanning Tree Protocol (MSTP)	☑	☑
IEEE 802.1w Rapid Spanning Tree Protocol (RSTP)	☑	☑
IEEE 802.3 10Base-T	—	—
IEEE 802.3ab 1000Base-T	☑	☑
IEEE 802.3ad Link Aggregation with LACP	☑	☑
IEEE 802.3ae 10 Gigabit Ethernet	☑	☑
IEEE 802.3az Energy Efficient Ethernet	☑	☑
IEEE 802.3by/IEEE 802.3cc 25 Gigabit Ethernet	☑	☑
IEEE 802.3bz Multi Gigabit Ethernet	☑	☑
IEEE 802.3 CSMA/CD Access Method and Physical Layer Specifications	☑	☑
IEEE 802.3u 100Base-TX ¹	☑	☑
IEEE 802.3x Flow Control and Back-pressure	☑	☑
IEEE 802.3z 1000Base-SX/LX	—	—
Ingress Pause Metering	—	—
Jumbo Frames	☑	☑
LAG min/max bundle	☑	☑
Loop Guard	☑	☑
MAC, Ethertype-based VLANs	☑	☑
MDI/MDIX Auto-crossover	☑	☑
Per-port storm control	☑	☑
Priority-based Flow Control (802.1Qbb)	—	—
Rapid PVST interoperation	☑	☑
Spanning Tree Instances (MSTP/CST)	☑	☑
Split Port (QSFP+ breakout to 4×10G SFP+ or 4×1G SFP)	—	—
Storm Control	☑	☑
STP BPDU Guard	☑	☑
STP Root Guard	☑	☑
Time-Domain Reflectometry (TDR) Support	—	—
Unicast/Multicast traffic balance over trunking port	☑	☑
Virtual-Wire	—	—
VLAN Mapping	—	—
VXLAN	—	—

FEATURES	FS-AX624F/ FS-AX624F-FPOE	FS-AX648F/ FS-AX648F-FPOE
Services		
IGMP proxy / querier	—	—
IGMP Snooping	☑	☑
MLD proxy / querier	—	—
MLD Snooping	☑	☑
Layer 3		
Bidirectional Forwarding Detection (BFD)	—	—
DHCP Relay	—	—
DHCP server	—	—
Dynamic Routing Protocols: OSPFv2 1, RIPv2, VRRP, BGP 1	—	—
ECMP	—	—
Filtering routemaps based on routing protocol	—	—
IP conflict detection and notification	—	—
IPv6 route filtering	—	—
Multicast Protocols: PIM-SM, PIM-SSM	—	—
Policy-based routing (IPv4) 1	—	—
Static Routing (Hardware-based)	☑	☑
Unicast Reverse Path Forwarding - uRPF	—	—
VRF 1	—	—
Security and Visibility		
ACL	☑	☑
ACL Multiple Ingress	—	—
ACL Multistage	—	—
ACL Schedule	—	—
Admin Authentication Via RFC 2865 RADIUS	☑	☑
Assign VLANs via Radius attributes (RFC 4675)	—	—
DHCP-Snooping	—	—
Dynamic ARP Inspection	—	—
Flow Export (NetFlow and IPFIX)	—	—
IEEE 802.1ab Link Layer Discovery Protocol (LLDP)	☑	☑
IEEE 802.1ab LLDP-MED	—	—
IEEE 802.1ae MAC Security (MAC Sec)	—	—
IEEE 802.1X Authentication (Port-based, MAC-based)	—	—
IEEE 802.1X EAP pass-through	☑	☑
IEEE 802.1X open auth	—	—
IP source guard	—	—
IPv6 RA Guard	—	—
LLDP-MED ELIN support	—	—
MAC Authentication	—	—
MAC-IP Binding	—	—
Per-port and per-VLAN MAC learning limit	—	—
Policy-based Mirroring	—	—
Port Mirroring	☑	☑
Radius Accounting	☑	☑
Radius CoA (Change of Authority)	—	—
sFlow	☑	☑
Sticky MAC and MAC Limit	—	—
Wake on LAN	—	—
Web Authentication	—	—



Features

FEATURES	FS-AX624F/ FS-AX624F-FPOE	FS-AX648F/ FS-AX648F-FPOE
High Availability		
GSRP	☑ ²	☑ ²
Ring protocol	☑	☑
Stackable	☑	☑
Quality of Service		
IEEE 802.1p Based Priority Queuing	—	—
IP TOS/DSCP Based Priority Queuing	—	—
Management		
Display Average Bandwidth and Allow Sorting on Physical Port / Interface Traffic	☑	☑
HTTP / HTTPS	—	—
IPv4 and IPv6 Management	☑	☑
NTP	☑	☑
Packet Capture	☑	☑
Provide warning if L2 table is getting full	—	—
Python script	—	—
RMON Group 1	☑	☑
SNMP v1/v2c/v3	☑	☑
SNMP v3 traps	☑	☑
Software download/upload: TFTP/FTP/GUI	TFTP/FTP	TFTP/FTP
Standard CLI and Web GUI Interface	CLI	CLI
Syslog UDP/TCP	UDP	UDP
System Temperature and Alert	☑	☑
Telnet / SSH	☑	☑

¹ Supported Full-Duplex only.

² Gigabit Switch Redundancy Protocol, GSRP Aware function only.



RFC Compliance

RFC and MIB supported by FortiSwitch Operating System. Check feature matrix in administration guide for model specific support.

FS-AX2340S Series Model Numbers

- FS-AX2340S-16T4X
- FS-AX2340S-24T4X
- FS-AX2340S-24TH4X
- FS-AX2340S-48T4X
- FS-AX2340S-24P4X
- FS-AX2340S-24PH4X
- FS-AX2340S-48P4X
- FS-AX2340S-16P8MP2X

FS-AX2630S Series Model Numbers

- FS-AX2630S-24T4XW
- FS-AX2630S-48T4XW
- FS-AX2630S-24P4XW
- FS-AX2630S-48P4XW

FORTISWITCH AX2340S AND AX2630S SERIES
RFC and MIB Support
DHCP
RFC 2131: Dynamic Host Configuration Protocol
IP/IPv4
RFC 1519: Classless Inter-Domain Routing (CIDR):an Address Assignment and Aggregation Strategy
RFC 1812: Requirements for IP Version 4 Routers
IPv6
RFC 2474: Definition of the Differentiated Services Field (DS Field) in the IPv4 and IPv6 Headers (DSCP)
RFC 4291: IP Version 6 Addressing Architecture
RFC 4443: Internet Control Message Protocol (ICMPv6) for the Internet Protocol Version 6
RFC 4861: Neighbor Discovery for IP version 6 (IPv6)
RFC 4862: IPv6 Stateless Address Auto configuration
RFC 8200: Internet Protocol, Version 6 (IPv6) Specification
MIB
RFC 1213: Management Information Base for Network Management of TCP/IP based internets: MIB-II
RFC 1493: Definitions of Managed Objects for Bridges
RFC 1643: Definitions of Managed Objects for the Ethernet-like Interface Types
RFC 1757: Remote Network Monitoring Management Information Base
RFC 2233: The Interfaces Group MIB using SMIv2
RFC 2674: Definitions of Managed Objects for Bridges with Traffic Classes, Multicast Filtering and Virtual LAN Extensions
RFC 2934: Protocol Independent Multicast MIB for IPv4
RFC 3621: Power Ethernet MIB
RADIUS
RFC 2865: Remote Authentication Dial In User Service (RADIUS)
RFC 2866: RADIUS Accounting
RFC 2868: RADIUS Attributes for Tunnel Protocol Support
RFC 2869: RADIUS Extensions
RFC 3162: RADIUS and IPv6
RFC 3579: RADIUS Support For Extensible Authentication Protocol (EAP)
RFC 3580: IEEE 802.1X Remote Authentication Dial In User Service (RADIUS) Usage Guidelines
RFC 3748: Extensible Authentication Protocol (EAP)

FORTISWITCH AX2340S AND AX2630S SERIES
RFC and MIB Support
SNMP
RFC 1157: A Simple Network Management Protocol (SNMP)
RFC 1901: Introduction to Community-based SNMPv2
RFC 1902: Structure of Management Information for Version 2 of the Simple Network Management Protocol (SNMPv2)
RFC 1903: Textual Conventions for Version 2 of the Simple Network Management Protocol (SNMPv2)
RFC 1904: Conformance Statements for Version 2 of the Simple Network Management Protocol (SNMPv2)
RFC 1905: Protocol Operations for Version 2 of the Simple Network Management Protocol (SNMPv2)
RFC 1906: Transport Mappings for Version 2 of the Simple Network Management Protocol (SNMPv2)
RFC 1907: Management Information Base for Version 2 of the Simple Network Management Protocol (SNMPv2)
RFC 1908: Coexistence between Version 1 and Version 2 of the Internet-standard Network Management Framework
RFC 2578: Structure of Management Information Version 2 (SMIv2)
RFC 2579: Textual Conventions for SMIv2
RFC 2580: Conformance Statements for SMIv2
RFC 3410: Introduction and Applicability Statements for Internet Standard Management Framework
RFC 3411: An Architecture for Describing Simple Network Management Protocol (SNMP) Management Frameworks
RFC 3412: Message Processing and Dispatching for the Simple Network Management Protocol (SNMP)
RFC 3413: Simple Network Management Protocol (SNMP) Applications
RFC 3414: User-based Security Model (USM) for version 3 of the Simple Network Management Protocol (SNMPv3)
RFC 3415: View-based Access Control Model (VACM) for the Simple Network Management Protocol (SNMP)
RFC 3416: Version 2 of the Protocol Operations for the Simple Network Management Protocol (SNMP)
RFC 3417: Transport Mappings for the Simple Network Management Protocol (SNMP)
RFC 3418: Management Information Base (MIB) for the Simple Network Management Protocol (SNMP)
RFC 3584: Coexistence between Version 1, Version 2, and Version 3 of the Internetstandard Network Management Framework
RFC 3826: The Advanced Encryption Standard (AES) Cipher Algorithm in the SNMP User-based Security Model
RFC 7860: HMAC-SHA-2 Authentication Protocols in User-Based Security Model (USM) for SNMPv3



RFC Compliance

RFC and MIB supported by FortiSwitch Operating System. Check feature matrix in administration guide for model specific support.

FS-AX3660S Series Model Numbers

- FS-AX3660S-24T4X
- FS-AX3660S-48T4XW
- FS-AX3660S-48XT4QW
- FS-AX3660S-24T4XW
- FS-AX3660S-24S8XW
- FS-AX3660S-48X4QW

FORTISWITCH AX3660S SERIES
RFC and MIB Support
BFD
RFC 5880: Bidirectional Forwarding Detection (BFD)
RFC 5881: Bidirectional Forwarding Detection (BFD) for IPv4 and IPv6 (Single Hop)
RFC 5882: Generic Application of Bidirectional Forwarding Detection (BFD)
RFC 5883: Bidirectional Forwarding Detection (BFD) for Multihop Paths
BGP
RFC 1997: BGP Communities Attribute
RFC 2385: Protection of BGP Sessions via the TCP MD5 Signature Option
RFC 2545: Use of BGP-4 Multiprotocol Extensions for IPv6 Inter-Domain Routing
RFC 2918: Route Refresh Capability for BGP-4
RFC 4271: A Border Gateway Protocol 4 (BGP-4)
RFC 4456: BGP Route Reflection: An Alternative to Full Mesh Internal BGP (iBGP)
RFC 4760: Multiprotocol Extensions for BGP-4
RFC 5065: Autonomous System Confederations for BGP
RFC 5492: Capabilities Advertisement with BGP-4
DHCP relay
RFC 2131: Dynamic Host Configuration Protocol
RFC 3315: Dynamic Host Configuration Protocol for IPv6 (DHCPv6)
IP/IPv4
RFC 1519: Classless Inter-Domain Routing (CIDR): an Address Assignment and Aggregation Strategy
RFC 1812: Requirements for IP Version 4 Routers
RFC 2474: Definition of the Differentiated Services Field (DS Field) in the IPv4 and IPv6 Headers
IP Multicast
RFC 2236: Internet Group Management Protocol, Version 2
RFC 2362: Protocol Independent Multicast-Sparse Mode (PIM-SM)
RFC 2710: Multicast Listener Discovery (MLD) for IPv6
RFC 3376: Internet Group Management Protocol, Version 3
RFC 3810: Multicast Listener Discovery Version 2 (MLDv2) for IPv6
RFC 4541: Considerations for Internet Group Management Protocol (IGMP) and Multicast Listener Discovery (MLD) Snooping Switches
RFC 4601: Protocol Independent Multicast-Sparse Mode (PIM-SM)
RFC 4607: Source-Specific Multicast for IP
IPv6
RFC 2373: IP Version 6 Addressing Architecture
RFC 2460: Internet Protocol, Version 6 (IPv6) Specification
RFC 2461: Neighbor Discovery for IP Version 6 (IPv6)
RFC 2462: IPv6 Stateless Address Autoconfiguration
RFC 2463: Internet Control Message Protocol (ICMPv6) for the Internet Protocol Version 6 (IPv6) Specification
RFC 2474: Definition of the Differentiated Services Field (DS Field) in the IPv4 and IPv6 Headers
RFC 8106: IPv6 Router Advertisement Options for DNS Configuration

FORTISWITCH AX3660S SERIES
RFC and MIB Support
MIB
RFC 1213: Management Information Base for Network Management of TCP/IP based internets: MIB-II
RFC 1354: IP Forwarding Table MIB
RFC 1493: Definitions of Managed Objects for Bridges
RFC 1643: Definitions of Managed Objects for the Ethernet-like Interface Types
RFC 1657: Definitions of Managed Objects for the Fourth Version of the Border Gateway Protocol (BGP-4) using SMIv2
RFC 1757: Remote Network Monitoring Management Information Base
RFC 1850: OSPF Version 2 Management Information Base
RFC 2233: The Interfaces Group MIB using SMIv2
RFC 2452: IP Version 6 Management Information Base for the Transmission Control Protocol
RFC 2454: IP Version 6 Management Information Base for the User Datagram Protocol
RFC 2465: Management Information Base for IP Version 6: Textual Conventions and General Group
RFC 2466: Management Information Base for IP Version 6: ICMPv6 Group
RFC 2674: Definitions of Managed Objects for Bridges with Traffic Classes, Multicast Filtering and Virtual LAN Extensions
RFC 2787: Definitions of Managed Objects for the Virtual Router Redundancy Protocol
RFC 2934: Protocol Independent Multicast MIB for IPv4
OSPF
RFC 2328: OSPF version 2
RFC 2370: The OSPF Opaque LSA Option
RFC 2740: OSPF for IPv6
RFC 3101: The OSPF Not-So-Stubby Area (NSSA) Option
RFC 3137: OSPF Stub Router Advertisement
RFC 3623: OSPF Graceful Restart
RFC 5309: Point-to-Point Operation over LAN in Link State Routing Protocols
OTHER
RFC 3176: InMon Corporation's sFlow: A Method for Monitoring Traffic in Switched and Routed Networks
RFC 3768: VRRP
RFC 7348: Virtual eXtensible Local Area Network (VXLAN)
RADIUS
RFC 2865: Remote Authentication Dial In User Service (RADIUS)
RFC 2866: RADIUS Accounting
RFC 2868: RADIUS Attributes for Tunnel Protocol Support
RFC 2869: RADIUS Extensions
RFC 3162: RADIUS and IPv6
RFC 3579: RADIUS Support For Extensible Authentication Protocol (EAP)
RFC 3580: IEEE 802.1X Remote Authentication Dial In User Service (RADIUS) Usage Guidelines
RFC 3748: Extensible Authentication Protocol (EAP)
RIP
RFC 1058: Routing Information Protocol
RFC 2080: RIPng for IPv6
RFC 2453: RIP Version 2
RFC 4822: RIPv2 Cryptographic Authentication



RFC Compliance

RFC and MIB supported by FortiSwitch Operating System. Check feature matrix in administration guide for model specific support.

FS-AX3660S Series Model Numbers

- FS-AX3660S-24T4X
- FS-AX3660S-24T4XW
- FS-AX3660S-48T4XW
- FS-AX3660S-24S8XW
- FS-AX3660S-48XT4QW
- FS-AX3660S-48X4QW

FORTISWITCH AX3660S SERIES
RFC and MIB Support
SNMP
RFC 1157: A Simple Network Management Protocol (SNMP)
RFC 1901: Introduction to Community-based SNMPv2
RFC 1902: Structure of Management Information for Version 2 of the Simple Network Management Protocol (SNMPv2)
RFC 1903: Textual Conventions for Version 2 of the Simple Network Management Protocol (SNMPv2)
RFC 1904: Conformance Statements for Version 2 of the Simple Network Management Protocol (SNMPv2)
RFC 1905: Protocol Operations for Version 2 of the Simple Network Management Protocol (SNMPv2)
RFC 1906: Transport Mappings for Version 2 of the Simple Network Management Protocol (SNMPv2)
RFC 1907: Management Information Base for Version 2 of the Simple Network Management Protocol (SNMPv2)
RFC 1908: Coexistence between Version 1 and Version 2 of the Internet-standard Network Management Framework
RFC 2578: Structure of Management Information Version 2 (SMIv2)
RFC 2579: Textual Conventions for SMIv2
RFC 2580: Conformance Statements for SMIv2
RFC 3410: Introduction and Applicability Statements for Internet Standard Management Framework
RFC 3411: An Architecture for Describing Simple Network Management Protocol (SNMP) Management Frameworks
RFC 3412: Message Processing and Dispatching for the Simple Network Management Protocol (SNMP)
RFC 3413: Simple Network Management Protocol (SNMP) Applications
RFC 3414: User-based Security Model (USM) for version 3 of the Simple Network Management Protocol (SNMPv3)
RFC 3415: View-based Access Control Model (VACM) for the Simple Network Management Protocol (SNMP)
RFC 3416: Version 2 of the Protocol Operations for the Simple Network Management Protocol (SNMP)
RFC 3417: Transport Mappings for the Simple Network Management Protocol (SNMP)
RFC 3418: Management Information Base (MIB) for the Simple Network Management Protocol (SNMP)
RFC 3584: Coexistence between Version 1, Version 2, and Version 3 of the Internetstandard Network Management Framework
RFC 3826: The Advanced Encryption Standard (AES) Cipher Algorithm in the SNMP User-based Security Model
RFC 7860: HMAC-SHA-2 Authentication Protocols in User-Based Security Model (USM) for SNMPv3



RFC Compliance

RFC and MIB supported by FortiSwitch Operating System. Check feature matrix in administration guide for model specific support.

FS-AX600F Series Model Numbers

- FS-AX624F
- FS-AX648F
- FS-AX624F-FPOE
- FS-AX648F-FPOE

FORTISWITCH AX600F SERIES

RFC and MIB Support

IP/IPv4

- RFC 1519: Classless Inter-Domain Routing (CIDR):an Address Assignment and Aggregation Strategy
- RFC 1812: Requirements for IP Version 4 Routers

IPv6

- RFC 2474: Definition of the Differentiated Services Field (DS Field) in the IPv4 and IPv6 Headers (DSCP)
- RFC 4291: IP Version 6 Addressing Architecture
- RFC 4443: Internet Control Message Protocol (ICMPv6) for the Internet Protocol Version 6
- RFC 4861: Neighbor Discovery for IP version 6 (IPv6)
- RFC 8200: Internet Protocol, Version 6 (IPv6) Specification

MIB

- RFC1158: Management Information Base for Network Management of TCP/IPbased internets: MIB-II
- RFC1213: Management Information Base for Network Management of TCP/IPbased internets: MIB-II
- RFC1493: Definitions of Managed Objects for Bridges
- RFC1643: Definitions of Managed Objects for the Ethernet-like Interface Types
- RFC1757: Remote Network Monitoring Management Information Base
- RFC2233: The Interfaces Group MIB using SMIv2
- RFC2674: Definitions of Managed Objects for Bridges with Traffic Classes, Multicast Filtering and Virtual LAN Extensions
- RFC2934: Protocol Independent Multicast MIB for IPv4
- RFC 3621: Power Ethernet MIB
- RFC4022: Management Information Base for the Transmission Control Protocol (TCP)
- RFC4113: Management Information Base for the User Datagram Protocol (UDP)
- RFC4293: Management Information Base for the Internet Protocol (IP)

RADIUS

- RFC 2865: Remote Authentication Dial In User Service (RADIUS)
- RFC 2866: RADIUS Accounting

SNMP

- RFC3411: An Architecture for Describing Simple Network Management Protocol (SNMP) Management Frameworks
- RFC3412: Message Processing and Dispatching for the Simple Network Management Protocol (SNMP)
- RFC3413: Simple Network Management Protocol (SNMP) Applications
- RFC3414: User-based Security Model (USM) for version 3 of the Simple Network Management Protocol (SNMPv3)
- RFC3415: View-based Access Control Model (VACM) for the Simple Network Management Protocol (SNMP)
- RFC3418: Management Information Base (MIB) for the Simple Network Management Protocol (SNMP)
- RFC 3584: Coexistence between Version 1, Version 2, and Version 3 of the Internetstandard Network Management Framework
- RFC 3826: The Advanced Encryption Standard (AES) Cipher Algorithm in the SNMP User-based Security Model
- RFC 7860: HMAC-SHA-2 Authentication Protocols in User-Based Security Model (USM) for SNMPv3



Specifications



	FORTISWITCH AX2340S-16T4X	FORTISWITCH AX2340S-24T4X
Hardware Specifications		
Total Network Interfaces	16× 10/100/1000BASE-T ports and 4× 1G/10GE SFP+ ports	24× 10/100/1000BASE-T ports and 2× 1GE SFP ports and 4× 1G/10GE SFP+ ports
Dedicated Management 10/100 Port	N/A	N/A
RJ-45 Serial Console Port	1	1
Form Factor	Desktop / 19 inch rack bracket	1 RU Rack Mount
Power over Ethernet (PoE) Ports	N/A	N/A
PoE Power Budget	N/A	N/A
Mean Time Between Failures	> 10 years	> 10 years
System Specifications		
Switching Capacity (Duplex)	112 Gbps	132 Gbps
Packets Per Second (Duplex)	166.6 Mpps	196.4 Mpps
MAC Address Storage ¹	16k	16k
Network Latency	< 4 μs	< 4 μs
VLANs Supported ¹	4k	4k
Link Aggregation Group Size	8	8
Total Link Aggregation Groups	Up to number of ports	Up to number of ports
Packet Buffers	1.5 MB	1.5 MB
Memory	2 GB DDR4	2 GB DDR4
Flash	1 GB	1 GB
ACL ¹	256	256
Spanning Tree Instances ¹	16	16
Route Entries	N/A	N/A
Multicast Route Entries	N/A	N/A
Host Entries (ARP/ND) ¹	4096 / 512	4096 / 512
Dimensions		
Height x Depth x Width (inches)	1.74 × 8.08 × 9.85	1.74 × 13.78 × 17.33
Height x Depth x Width (mm)	44 × 205 × 250	44 × 350 × 440
Weight (Including power supply units)	4.63 lbs (2.1 kg)	8.82 lbs (4.0 kg)
Environment		
Power Required	100–240V AC, 50/60 Hz	100–240V AC, 50/60 Hz
Power Supply	65W AC built in	65W AC built in
Redundant Power	N/A	N/A
Power Consumption ¹	30 W	45 W
Heat Dissipation	114.0 BTU/h	171.0 BTU/h
Operating Temperature ²	32°F to 113°F (0°C to 45°C)	32°F to 113°F (0°C to 45°C)
Storage Temperature	-13°F to 149°F (-25°C to 65°C)	-13°F to 149°F (-25°C to 65°C)
Humidity	10% to 90% non-condensing	10% to 90% non-condensing
Air-Flow Direction	—	—
Noise Level	Fanless	Fanless
Certification and Compliance		
	RCM, VCCI, BSMI, RoHS2	
Warranty		
Fortinet Warranty	Limited lifetime ³ warranty on all models	

¹ The maximum value. It varies depending on the settings.

² The upper limit is 104°F[40°C] when using 10G-Base-ER(SFP+).

³ Fortinet Warranty Policy: <http://www.fortinet.com/doc/legal/EULA.pdf>

Specifications



	FORTISWITCH AX2340S-24TH4X	FORTISWITCH AX2340S-48T4X
Hardware Specifications		
Total Network Interfaces	24× 10/100/1000BASE-T ports and 2× 1GE SFP ports and 4× 1G/10GE SFP+ ports	48× 10/100/1000BASE-T ports and 2× 1GE SFP ports and 4× 1G/10GE SFP+ ports
Dedicated Management 10/100 Port	N/A	N/A
RJ-45 Serial Console Port	1	1
Form Factor	1 RU Rack Mount	1 RU Rack Mount
Power over Ethernet (PoE) Ports	N/A	N/A
PoE Power Budget	N/A	N/A
Mean Time Between Failures	> 10 years	> 10 years
System Specifications		
Switching Capacity (Duplex)	132 Gbps	180 Gbps
Packets Per Second (Duplex)	196.4 Mpps	267.8 Mpps
MAC Address Storage ¹	16k	16k
Network Latency	< 4 μs	< 4 μs
VLANs Supported ¹	4k	4k
Link Aggregation Group Size	8	8
Total Link Aggregation Groups	Up to number of ports	Up to number of ports
Packet Buffers	1.5 MB	3.0 MB
Memory	2 GB DDR4	2 GB DDR4
Flash	1 GB	1 GB
ACL ¹	256	256
Spanning Tree Instances ¹	16	16
Route Entries	N/A	N/A
Multicast Route Entries	N/A	N/A
Host Entries (ARP/ND) ¹	4096 / 512	4096 / 512
Dimensions		
Height x Depth x Width (inches)	1.74 × 13.78 × 17.33	1.74 × 13.78 × 17.33
Height x Depth x Width (mm)	44 × 350 × 440	44 × 350 × 440
Weight (Including power supply units)	9.26 lbs (4.2 kg)	9.93 lbs (4.5 kg)
Environment		
Power Required	100–240V AC, 50/60 Hz	100–240V AC, 50/60 Hz
Power Supply	65W AC built in	120W AC built in
Redundant Power	N/A	N/A
Power Consumption ¹	45 W	80 W
Heat Dissipation	171.0 BTU/h	303.9 BTU/h
Operating Temperature ²	14°F to 122°F (-10°C to 50°C)	32°F to 122°F (0°C to 50°C)
Storage Temperature	-13°F to 149°F (-25°C to 65°C)	-13°F to 149°F (-25°C to 65°C)
Humidity	10% to 90% non-condensing	10% to 90% non-condensing
Air-Flow Direction	—	front-to-back
Noise Level	Fanless	51 dBA or less
Certification and Compliance		
	RCM, VCCI, BSMI, RoHS2	RCM, VCCI, BSMI, RoHS2, TEC
Warranty		
Fortinet Warranty	Limited lifetime ³ warranty on all models	

¹ The maximum value. It varies depending on the settings.

² 32°F–122°F [0°C–50°C] when starting up. The upper limit is 104°F [40°C] when using a 10GBase-ER (SFP+), 113°F [45°C] when using a 10GBase-SR/LR(SFP+).

³ Fortinet Warranty Policy: <http://www.fortinet.com/doc/legal/EULA.pdf>

Specifications



	FORTISWITCH AX2340S-24P4X	FORTISWITCH AX2340S-24PH4X
Hardware Specifications		
Total Network Interfaces	24× 10/100/1000BASE-T ports(PoE/PoE+) and 2× 1GE SFP ports and 4× 1G/10GE SFP+ ports	24× 10/100/1000BASE-T ports(PoE/PoE+) and 2× 1GE SFP ports and 4× 1G/10GE SFP+ ports
Dedicated Management 10/100 Port	N/A	N/A
RJ-45 Serial Console Port	1	1
Form Factor	1 RU Rack Mount	1 RU Rack Mount
Power over Ethernet (PoE) Ports	24(802.3af), 17(802.3at)	16(802.3af), 8(802.3at)
PoE Power Budget	535W	250W
Mean Time Between Failures	> 10 years	> 10 years
System Specifications		
Switching Capacity (Duplex)	132 Gbps	132 Gbps
Packets Per Second (Duplex)	196.4 Mpps	196.4 Mpps
MAC Address Storage ¹	16k	16k
Network Latency	< 4 μs	< 4 μs
VLANs Supported ¹	4k	4k
Link Aggregation Group Size	8	8
Total Link Aggregation Groups	Up to number of ports	Up to number of ports
Packet Buffers	1.5 MB	1.5 MB
Memory	2 GB DDR4	2 GB DDR4
Flash	1 GB	1 GB
ACL ¹	256	256
Spanning Tree Instances ¹	16	16
Route Entries	N/A	N/A
Multicast Route Entries	N/A	N/A
Host Entries (ARP/ND) ¹	4096 / 512	4096 / 512
Dimensions		
Height x Depth x Width (inches)	1.74 × 13.78 × 17.33	1.74 × 13.78 × 17.33
Height x Depth x Width (mm)	44 × 350 × 440	44 × 350 × 440
Weight (Including power supply units)	11.03 lbs (5.0 kg)	11.69 lbs (5.3 kg)
Environment		
Power Required	100–240V AC, 50/60 Hz	100–240V AC, 50/60 Hz
Power Supply	600W AC built in	300W AC built in
Redundant Power	N/A	N/A
Power Consumption ¹	700 W	360 W
Heat Dissipation	626.8 BTU/h	417.9 BTU/h
Operating Temperature	32°F to 122°F (0°C to 50°C)	14°F to 122°F (-10°C to 50°C) ²
Storage Temperature	-13°F to 149°F (-25°C to 65°C)	-13°F to 149°F (-25°C to 65°C)
Humidity	10% to 90% non-condensing	10% to 90% non-condensing
Air-Flow Direction	front-to-back	—
Noise Level	38–70 dBA or less	Fanless
Certification and Compliance		
	RCM, VCCI, BSMI, RoHS2	
Warranty		
Fortinet Warranty	Limited lifetime ³ warranty on all models	

¹ The maximum value. It varies depending on the settings.

² The range is 32°F to 122°F [0°–50°C] when starting up. The upper limit is 104°F [40°C] when using a 10GBase-ER(SFP+), 113°F [45°C] when using a 10GBase-SR/LR(SFP+).

³ Fortinet Warranty Policy: <http://www.fortinet.com/doc/legal/EULA.pdf>.

Specifications



	FORTISWITCH AX2340S-48P4X	FORTISWITCH AX2340S-16P8MP2X
Hardware Specifications		
Total Network Interfaces	48× 10/100/1000BASE-T ports(PoE/PoE+) and 2× 1GE SFP ports and 4× 1G/10GE SFP+ ports	16× 10/100/1000BASE-T ports(PoE/PoE+) and 8× 100/1000/2.5GBASE-T(PoE/PoE+/PoE++) ports and 2× 1G/10GE SFP+ ports
Dedicated Management 10/100 Port	N/A	N/A
RJ-45 Serial Console Port	1	1
Form Factor	1 RU Rack Mount	1 RU Rack Mount
Power over Ethernet (PoE) Ports	48(802.3af), 26(802.3at)	16(802.3af/at) + 8(802.3bt) ²
PoE Power Budget	785W	815W
Mean Time Between Failures	> 10 years	> 10 years
System Specifications		
Switching Capacity (Duplex)	180 Gbps	112 Gbps
Packets Per Second (Duplex)	267.8 Mpps	166.6 Mpps
MAC Address Storage ¹	16k	16k
Network Latency	< 4 μs	< 4 μs
VLANs Supported ¹	4k	4k
Link Aggregation Group Size	8	8
Total Link Aggregation Groups	Up to number of ports	Up to number of ports
Packet Buffers	3.0 MB	1.5 MB
Memory	2 GB DDR4	2 GB DDR4
Flash	1 GB	2 GB
ACL ¹	256	256
Spanning Tree Instances ¹	16	16
Route Entries	N/A	N/A
Multicast Route Entries	N/A	N/A
Host Entries (ARP/ND) ¹	4096 / 512	4096 / 512
Dimensions		
Height x Depth x Width (inches)	1.74 × 13.78 × 17.33	1.74 × 13.78 × 17.33
Height x Depth x Width (mm)	44 × 350 × 440	44 × 350 × 440
Weight (Including power supply units)	12.35 lbs (5.6 kg)	11.47 lbs (5.2 kg)
Environment		
Power Required	100–240V AC, 50/60 Hz	100–240V AC, 50/60 Hz
Power Supply	920W AC built in	920W AC built in
Redundant Power	N/A	N/A
Power Consumption ¹	1100 W	1100 W
Heat Dissipation	1196.5 BTU/h	1082.5 BTU/h
Operating Temperature	32°F to 122°F (0°C to 50°C)	32°F to 122°F (0°C to 50°C)
Storage Temperature	-13°F to 149°F (-25°C to 65°C)	-13°F to 149°F (-25°C to 65°C)
Humidity	10% to 90% non-condensing	10% to 90% non-condensing
Air-Flow Direction	front-to-back	front-to-back
Noise Level	49–71 dBA or less	50–72 dBA or less
Certification and Compliance		
	RCM, VCCI, BSMI, RoHS2, TEC	RCM, VCCI, BSMI, RoHS2
Warranty		
Fortinet Warranty	Limited lifetime ³ warranty on all models	

¹ The maximum value. It varies depending on the settings.

² PoE++ (IEEE802.3bt) ports support up to class6.

³ Fortinet Warranty Policy: <http://www.fortinet.com/doc/legal/EULA.pdf>.

Specifications



	FORTISWITCH AX2630S-24T4XW	FORTISWITCH AX2630S-48T4XW
Hardware Specifications		
Total Network Interfaces	24× 10/100/1000BASE-T ports and 2× 1GE SFP ports and 4× 1G/10GE SFP+ ports ³	48× 10/100/1000BASE-T ports and 2× 1GE SFP ports and 4× 1G/10GE SFP+ ports ³
Dedicated Management 10/100 Port	N/A	N/A
RJ-45 Serial Console Port	1	1
Form Factor	1 RU Rack Mount	1 RU Rack Mount
Power over Ethernet (PoE) Ports	N/A	N/A
PoE Power Budget	N/A	N/A
Mean Time Between Failures	> 10 years	> 10 years
System Specifications		
Switching Capacity (Duplex)	132 Gbps	180 Gbps
Packets Per Second (Duplex)	196.4 Mpps	267.8 Mpps
MAC Address Storage ¹	16k	16k
Network Latency	< 4 μs	< 4 μs
VLANs Supported ¹	4k	4k
Link Aggregation Group Size	8	8
Total Link Aggregation Groups	Up to number of ports	Up to number of ports
Packet Buffers	1.5 MB	3.0 MB
Memory	2 GB DDR4	2 GB DDR4
Flash	1 GB	1 GB
ACL ¹	512	512
Spanning Tree Instances ¹	16	16
Route Entries	N/A	N/A
Multicast Route Entries	N/A	N/A
Host Entries (ARP/ND) ¹	4096 / 512	4096 / 512
Dimensions		
Height x Depth x Width (inches)	1.74 × 13.78 × 17.33	1.74 × 13.78 × 17.33
Height x Depth x Width (mm)	44 × 350 × 440	44 × 350 × 440
Weight (Including power supply units)	9.71 lbs (4.4 kg)	10.81 lbs (4.9 kg)
Environment		
Power Required	100–240V AC, 50/60 Hz, -36V– -72V DC	100–240V AC, 50/60 Hz, -36V– -72V DC
Power Supply	65W AC built in	120W AC built in
Redundant Power ²	Optional FS-AXF2630-PS26AF15/FS-AXF2630-PS26DF15	Optional FS-AXF2630-PS26AF15/FS-AXF2630-PS26DF15
Power Consumption ¹	45 W	80 W
Heat Dissipation	171.0 BTU/h	303.9 BTU/h
Operating Temperature	32°F to 113°F (0°C to 45°C) ⁴	32°F to 122°F (0°C to 50°C)
Storage Temperature	-13°F to 149°F (-25°C to 65°C)	-13°F to 149°F (-25°C to 65°C)
Humidity	10% to 90% non-condensing	10% to 90% non-condensing
Air-Flow Direction	—/front-to-back	front-to-back
Noise Level	Fanless / 46–63 dBA or less ⁵	53 dBA or less
Certification and Compliance		
	RCM, VCCI, BSMI, RoHS2	RCM, VCCI, BSMI, RoHS2, TEC
Warranty		
Fortinet Warranty	Limited lifetime ⁶ warranty on all models	

¹ The maximum value. It varies depending on the settings.

² Power Supply Units are Hot-Swappable.

³ Can be used for stack ports.

⁴ The upper limit is 104°F [40°C] when using a 10GBase-ER (SFP+).

⁵ This value applies when AC power supply or DC power supply is installed.

⁶ Fortinet Warranty Policy: <http://www.fortinet.com/doc/legal/EULA.pdf>.

Specifications



	FORTISWITCH AX2630S-24P4XW	FORTISWITCH AX2630S-48P4XW
Hardware Specifications		
Total Network Interfaces	24× 10/100/1000BASE-T ports(PoE/PoE+) and 2× 1GE SFP ports and 4× 1G/10GE SFP+ ports ³	48× 10/100/1000BASE-T ports(PoE/PoE+) and 2× 1GE SFP ports and 4× 1G/10GE SFP+ ports ³
Dedicated Management 10/100 Port	N/A	N/A
RJ-45 Serial Console Port	1	1
Form Factor	1 RU Rack Mount	1 RU Rack Mount
Power over Ethernet (PoE) Ports	24(802.3af), 17(802.3at) / 24(802.3af/802.3at) ⁴	48(802.3af), 26(802.3at) / 48(802.3af/802.3at) ⁴
PoE Power Budget	535W / 720W ⁴	785W / 1440W ⁴
Mean Time Between Failures	> 10 years	> 10 years
System Specifications		
Switching Capacity (Duplex)	132 Gbps	180 Gbps
Packets Per Second (Duplex)	196.4 Mpps	267.8 Mpps
MAC Address Storage ¹	16k	16k
Network Latency	< 4 μs	< 4 μs
VLANs Supported ¹	4k	4k
Link Aggregation Group Size	8	8
Total Link Aggregation Groups	Up to number of ports	Up to number of ports
Packet Buffers	1.5 MB	3.0 MB
Memory	2 GB DDR4	2 GB DDR4
Flash	1 GB	1 GB
ACL ¹	512	512
Spanning Tree Instances ¹	16	16
Route Entries	N/A	N/A
Multicast Route Entries	N/A	N/A
Host Entries (ARP/ND) ¹	4096 / 512	4096 / 512
Dimensions		
Height x Depth x Width (inches)	1.74 × 13.78 × 17.33	1.74 × 13.78 × 17.33
Height x Depth x Width (mm)	44 × 350 × 440	44 × 350 × 440
Weight (Including power supply units)	12.79 lbs (5.8 kg)	14.11 lbs (6.4 kg)
Environment		
Power Required	100–240V AC, 50/60 Hz	100–240V AC, 50/60 Hz
Power Supply	600W AC built in	920W AC built in
Redundant Power ²	Optional FS-AXF2630-PS26AF60	Optional FS-AXF2630-PS26AF92
Power Consumption ¹	890 W	1760 W
Heat Dissipation	645.7 BTU/h	1215.5 BTU/h
Operating Temperature	32°F to 122°F (0°C to 50°C)	32°F to 122°F (0°C to 50°C)
Storage Temperature	-13°F to 149°F (-25°C to 65°C)	-13°F to 149°F (-25°C to 65°C)
Humidity	10% to 90% non-condensing	10% to 90% non-condensing
Air-Flow Direction	front-to-back	front-to-back
Noise Level	38–79 dBA or less	49–75 dBA or less
Certification and Compliance		
	RCM, VCCI, BSMI, RoHS2	RCM, VCCI, BSMI, RoHS2, TEC
Warranty		
Fortinet Warranty	Limited lifetime ⁵ warranty on all models	

1 The maximum value. It varies depending on the settings.

2 Power Supply Units are Hot-Swappable.

3 Can be used for stack ports.

4 Setting of PoE power supply expansion mode is required.

5 Fortinet Warranty Policy: <http://www.fortinet.com/doc/legal/EULA.pdf>.

Specifications



	FORTISWITCH AX3660S-24T4X	FORTISWITCH AX3660S-24T4XW
Hardware Specifications		
Total Network Interfaces	24× 10/100/1000BASE-T ports and 4× 1G/10GE SFP+ ports and 2× 40GE QSFP+ ports (for Stack)	24× 10/100/1000BASE-T ports and 4× 1G/10GE SFP+ ports and 2× 40GE QSFP+ ports (for Stack)
Dedicated Management 10/100 Port	1	1
RJ-45 Serial Console Port	1	1
Form Factor	1 RU Rack Mount	1 RU Rack Mount
Power over Ethernet (PoE) Ports	N/A	N/A
PoE Power Budget	N/A	N/A
Mean Time Between Failures	> 10 years	> 10 years
System Specifications		
Switching Capacity (Duplex)	288 Gbps	288 Gbps
Packets Per Second (Duplex)	428.6 Mpps	428.6 Mpps
MAC Address Storage ¹	200k	200k
Network Latency	< 4 μs	< 4 μs
VLANs Supported ¹	4k	4k
Link Aggregation Group Size	8	8
Total Link Aggregation Groups	Up to number of ports	Up to number of ports
Packet Buffers	12 MB	12 MB
Memory	4 GB DDR3	4 GB DDR3
Flash	1 GB	1 GB
ACL ¹	6k	6k
Spanning Tree Instances ¹	16	16
Route Entries (IPv4/IPv6) ¹	16k/6k	16k/6k
Host Entries (ARP/ND) ¹	30k/23k	30k/23k
Dimensions		
Height x Depth x Width (inches)	1.70 × 14.97 × 17.52	1.70 × 17.72 × 17.52
Height x Depth x Width (mm)	43 × 380 × 445	43 × 450 × 445
Weight (Including power supply units)	13.23 lbs (6.00 kg) or less	22.05 lbs (10.00 kg) or less
Environment		
Power Required ²	100–240V AC, 50–60 Hz	100–240V AC, 50–60 Hz, -48V to -60V DC
Power Supply ³	AC built in	495 W AC PSU, 500 W DC PSU
Redundant Power	Redundant AC	Redundant AC, Redundant DC
Power Consumption ¹ (Maximum)	110 W	130 W AC, 145W DC
Heat Dissipation	417.9 BTU/h	493.8 BTU/h AC, 550.8 BTU/h DC
Operating Temperature	14°F to 122°F (-10°C to 50°C) ^{4,5,6,7}	front-to-back: 14°F to 122°F (-10°C to 50°C) ^{4,5,6,7} back-to-front 14°F to 104°F (-10°C to 40°C) ^{4,5}
Storage Temperature	-13°F to 149°F (-25°C to 65°C)	-13°F to 149°F (-25°C to 65°C)
Humidity	10% to 90% non-condensing	10% to 90% AC, non-condensing 10% to 80% DC, non-condensing
Air-Flow Direction	front-to-back	front-to-back or back-to-front ⁸
Noise Level	41-50 dBA or less	front-to-back: 48-57 dBA or less back-to-front: 57-63 dBA or less
Certification and Compliance		
	RCM, VCCI, BSMI, RoHS2	
Warranty		
Fortinet Warranty	Limited lifetime ⁹ warranty on all models	

1 The maximum value. It varies depending on the settings.

2 The range that guarantees normal operation is [AC90V to 127.2V /AC180V to 254.4V] for AC and [DC-40V to -57V] for DC.

3 Power Supply Units are Hot-Swappable except for FS-AX3660S-24T4X.

4 The range is from 32°F [0°C] to the upper limit when the device is started.

5 Conditions at below 32°F [0°C]: Continuous 72 hours and no more than 15 days per year.

6 Conditions at above 113°F [45°C]: Continuous 72 hours and no more than 15 days per year (only when using DC power supply).

7 The upper limit is 104°F [40°C] when using 10G-Base-ZR(SFP+).

8 front-to-back (FS-AXF2430-FAN04 and [FS-AXF2430-PSA06 or FS-AXF2430-PSD06]), back-to-front (FS-AXF2430-FAN04R and FS-AXF2430-PSA06R)

9 Fortinet Warranty Policy: <http://www.fortinet.com/doc/legal/EULA.pdf>



Specifications



	FORTISWITCH AX3660S-48T4XW	FORTISWITCH AX3660S-24S8XW
Hardware Specifications		
Total Network Interfaces	48× 10/100/1000BASE-T ports and 4× 1G/10GE SFP+ ports and 2× 40GE QSFP+ ports (for Stack)	24× 1G SFP ports and 12× 10/100/1000BASE-T ports and 8× 10GE SFP+ ports and 2× 40GE QSFP+ ports (for Stack)
Dedicated Management 10/100 Port	1	1
RJ-45 Serial Console Port	1	1
Form Factor	1 RU Rack Mount	1 RU Rack Mount
Power over Ethernet (PoE) Ports	N/A	N/A
PoE Power Budget	N/A	N/A
Mean Time Between Failures	> 10 years	> 10 years
System Specifications		
Switching Capacity (Duplex)	336 Gbps	392 Gbps
Packets Per Second (Duplex)	500.0 Mpps	583.4 Mpps
MAC Address Storage ¹	200k	200k
Network Latency	< 4 μs	< 4 μs
VLANs Supported ¹	4k	4k
Link Aggregation Group Size	8	8
Total Link Aggregation Groups	Up to number of ports	Up to number of ports
Packet Buffers	12 MB	12 MB
Memory	4 GB DDR3	4 GB DDR3
Flash	1 GB	1 GB
ACL ¹	6k	6k
Spanning Tree Instances ¹	16	16
Route Entries (IPv4/IPv6) ¹	16k/6k	16k/6k
Host Entries (ARP/ND) ¹	30k/23k	30k/23k
Dimensions		
Height x Depth x Width (inches)	1.70 × 17.72 × 17.52	1.70 × 17.72 × 17.52
Height x Depth x Width (mm)	43 × 450 × 445	43 × 450 × 445
Weight (Including power supply units)	22.05 lbs (10.00 kg) or less	22.05 lbs (10.00 kg) or less
Environment		
Power Required ²	100–240V AC, 50–60 Hz, -48V to -60V DC	100–240V AC, 50–60 Hz, -48V to -60V DC
Power Supply ³	495 W AC PSU, 500 W DC PSU	495 W AC PSU, 500 W DC PSU
Redundant Power	Redundant AC, Redundant DC	Redundant AC, Redundant DC
Power Consumption ¹ (Maximum)	140 W AC, 155W DC	155 W AC, 165W DC
Heat Dissipation	531.8 BTU/h AC, 588.8 BTU/h DC	588.8 BTU/h AC, 626.8 BTU/h DC
Operating Temperature	front-to-back: 14°F to 122°F (-10°C to 50°C) ^{4,5,6,7} back-to-front 14°F to 104°F (-10°C to 40°C) ^{4,5}	front-to-back: 14°F to 122°F (-10°C to 50°C) ^{4,5,6,7} back-to-front 14°F to 104°F (-10°C to 40°C) ^{4,5}
Storage Temperature	-13°F to 149°F (-25°C to 65°C)	-13°F to 149°F (-25°C to 65°C)
Humidity	10% to 90% AC, non-condensing 10% to 80% DC, non-condensing	10% to 90% AC, non-condensing 10% to 80% DC, non-condensing
Air-Flow Direction	front-to-back or back-to-front ⁸	front-to-back or back-to-front ⁸
Noise Level	front-to-back: 48-57 dBA or less back-to-front: 57-63 dBA or less	front-to-back: 48-57 dBA or less back-to-front: 57-63 dBA or less
Certification and Compliance		
	RCM, VCCI, BSMI, RoHS2	
Warranty		
Fortinet Warranty	Limited lifetime ⁹ warranty on all models	

1 The maximum value. It varies depending on the settings.

2 The range that guarantees normal operation is [AC90V to 127.2V /AC180V to 254.4V] for AC and [DC-40V to -57V] for DC.

3 Power Supply Units are Hot-Swappable except for FS-AX3660S-24T4X.

4 The range is from 32°F[0°C] to the upper limit when the device is started.

5 Conditions at below 32°F [0°C]: Continuous 72 hours and no more than 15 days per year.

6 Conditions at above 113°F [45°C]: Continuous 72 hours and no more than 15 days per year (only when using DC power supply).

7 The upper limit is 104°F[40°C] when using 10G-Base-ZR(SFP+).

8 front-to-back (FS-AXF2430-FAN04 and [FS-AXF2430-PSA06 or FS-AXF2430-PSD06]), back-to-front (FS-AXF2430-FAN04R and FS-AXF2430-PSA06R)

9 Fortinet Warranty Policy: <http://www.fortinet.com/doc/legal/EULA.pdf>



Specifications



	FORTISWITCH AX3660S-48X4QW	FORTISWITCH AX3660S-48XT4QW
Hardware Specifications		
Total Network Interfaces	48× 1G/10GE SFP+ ports and 4× 100G/40GE QSFP28/QSFP+ ports	44× 100/1000BASE-T/10GBASE-T ports and 4× 1G/10GE SFP+ ports and 4× 100G/40GE QSFP28/QSFP+ ports
Dedicated Management 10/100 Port	1	1
RJ-45 Serial Console Port	1	1
Form Factor	1 RU Rack Mount	1 RU Rack Mount
Power over Ethernet (PoE) Ports	N/A	N/A
PoE Power Budget	N/A	N/A
Mean Time Between Failures	> 10 years	> 10 years
System Specifications		
Switching Capacity (Duplex)	1760 Gbps	1440 Gbps
Packets Per Second (Duplex)	1517.8 Mpps	1428.4 Mpps
MAC Address Storage ¹	200k	200k
Network Latency	< 4 μs	< 4 μs
VLANs Supported ¹	4k	4k
Link Aggregation Group Size	8	8
Total Link Aggregation Groups	Up to number of ports	Up to number of ports
Packet Buffers	12 MB	12 MB
Memory	4 GB DDR3	4 GB DDR3
Flash	1 GB	1 GB
ACL ¹	6k	6k
Spanning Tree Instances ¹	16	16
Route Entries (IPv4/IPv6) ¹	16k/6k	16k/6k
Host Entries (ARP/ND) ¹	30k/23k	30k/23k
Dimensions		
Height x Depth x Width (inches)	1.70 × 18.90 × 17.52	1.70 × 18.90 × 17.52
Height x Depth x Width (mm)	43 × 480 × 445	43 × 480 × 445
Weight (Including power supply units)	24.25 lbs (11.00 kg)2 or less	24.25 lbs (11.00 kg)2 or less
Environment		
Power Required ²	100–240V AC, 50–60 Hz, -48V to -60V DC	100–240V AC, 50–60 Hz, -48V to -60V DC
Power Supply ³	495 W AC PSU, 500 W DC PSU	495 W AC PSU, 500 W DC PSU
Redundant Power	Redundant AC, Redundant DC	Redundant AC, Redundant DC
Power Consumption ¹ (Maximum)	200/230 W AC, 215/240W DC ⁹	250 W AC, 270W DC
Heat Dissipation	759.7/873.6 BTU/h AC, 816.7/911.6 BTU/h DC ⁹	949.6 BTU/h AC, 1025.6 BTU/h DC
Operating Temperature	front-to-back: 14°F to 122°F (-10°C to 50°C) ^{4,5,6,7} back-to-front 14°F to 104°F (-10°C to 40°C) ^{4,5}	front-to-back: 14°F to 122°F (-10°C to 50°C) ^{4,5,6,7} back-to-front 14°F to 104°F (-10°C to 40°C) ^{4,5}
Storage Temperature	-13°F to 149°F (-25°C to 65°C)	-13°–149°F (-25° to 65°C)
Humidity	10% to 90% AC, non-condensing 10% to 80% DC, non-condensing	10% to 90% AC, non-condensing 10% to 80% DC, non-condensing
Air-Flow Direction	front-to-back or back-to-front ⁸	front-to-back or back-to-front ⁸
Noise Level	front-to-back: 48–57 dBA or less back-to-front: 57–63 dBA or less	front-to-back: 48–57 dBA or less back-to-front: 57–63 dBA or less
Certification and Compliance		
	RCM, VCCI, BSMI, RoHS2	RCM, VCCI, BSMI, RoHS2, TEC
Warranty		
Fortinet Warranty	Limited lifetime ¹⁰ warranty on all models	

1 The maximum value. It varies depending on the settings.

2 The range that guarantees normal operation is [AC90V to 127.2V /AC180V to 254.4V] for AC and [DC-40V to -57V] for DC.

3 Power Supply Units are Hot-Swappable except for FS-AX3660S-24T4X.

4 The range is from 32°F [0°C] to the upper limit when the device is started.

5 Conditions at below 32°F [0°C]: Continuous 72 hours and no more than 15 days per year.

6 Conditions at above 113°F [45°C]: Continuous 72 hours and no more than 15 days per year (only when using DC power supply).

7 The upper limit is 104°F [40°C] when using 10G-Base-ZR(SFP+).

8 front-to-back (FS-AXF2430-FAN04 and [FS-AXF2430-PSA06 or FS-AXF2430-PSD06]), back-to-front (FS-AXF2430-FAN04R and FS-AXF2430-PSA06R)

9 Value when 10GBase-ER(SFP+) or 10GBase-ZR(SFP+) is not installed (on the left) and installed (on the right).

10 Fortinet Warranty Policy: <http://www.fortinet.com/doc/legal/EULA.pdf>



Specifications



	FORTISWITCH AX624F	FORTISWITCH AX624F-FPOE	FORTISWITCH AX648F	FORTISWITCH AX648F-FPOE
Hardware Specifications				
Total Network Interfaces	24× 100/1000/2.5G/5GBASE-T ports and 4× 10G/25GE SFP+/SFP28 ports	24× 100/1000/2.5G/5GBASE-T ports and 4× 10G/25GE SFP+/SFP28 ports	32× 100/1000/2.5GBASE-T ports and 16× 100/1000/2.5G/5GBASE-T ports and 8× 10G/25GE SFP+/SFP28 ports	32× 100/1000/2.5GBASE-T ports and 16× 100/1000/2.5G/5GBASE-T ports and 8× 10G/25GE SFP+/SFP28 ports
Dedicated Management 10/100 Port	1	1	1	1
RJ-45 Serial Console Port	1	1	1	1
Form Factor	1 RU Rack Mount	1 RU Rack Mount	1 RU Rack Mount	1 RU Rack Mount
Power over Ethernet (PoE) Ports	N/A	24 (802.3 af/at/bt type 4)	N/A	48 (802.3 af/at/bt type 4)
PoE Power Budget	N/A	1440W	N/A	1800W
Mean Time Between Failures	> 10 years	> 10 years	> 10 years	> 10 years
System Specifications				
Switching Capacity (Duplex)	440 Gbps	440 Gbps	720 Gbps	720 Gbps
Packets Per Second (Duplex)	654 Mpps	654 Mpps	1071 Mpps	1071 Mpps
MAC Address Storage ¹	64k	64k	64k	64k
Network Latency	<1μs	<1μs	<1μs	<1μs
VLANs Supported ¹	4k	4k	4k	4k
Link Aggregation Group Size	8	8	8	8
Total Link Aggregation Groups	Up to number of ports	Up to number of ports	Up to number of ports	Up to number of ports
Packet Buffers	8 MB	8 MB	8 MB	8 MB
Memory	4GB DDR4	4GB DDR4	4GB DDR4	4GB DDR4
Flash	32G SSD	32G SSD	32G SSD	32G SSD
ACL ¹	6k	6k	6k	6k
Spanning Tree Instances ¹	16	16	16	16
Route Entries (IPv4/IPv6)	128/64	128/64	128/64	128/64
Multicast Route Entries	N/A	N/A	N/A	N/A
Host Entries (ARP/ND) ¹	16k/16k	16k/16k	16k/16k	16k/16k
Dimensions				
Height x Depth x Width (inches)	1.74 × 17.4 × 17.33	1.74 × 17.4 × 17.33	1.74 × 17.4 × 17.33	1.74 × 17.4 × 17.33
Height x Depth x Width (mm)	44 × 442 × 440	44 × 442 × 440	44 × 442 × 440	44 × 442 × 440
Weight (Including power supply units)	15.43 lbs (7.0 kg)	16.53 lbs (7.5 kg)	15.87 lbs (7.2 kg)	17.42 lbs (7.9 kg)
Environment				
Power Required	100–240V AC, 50/60 Hz	100–240V AC, 50/60 Hz	100–240V AC, 50/60 Hz	100–240V AC, 50/60 Hz
Power Supply	350 W AC PSU	1200 W AC PSU	350 W AC PSU	1200 W AC PSU
Redundant Power	Redundant AC	Redundant AC	Redundant AC	Redundant AC
Power Consumption ¹	240W	1680W	300W	2100W
Heat Dissipation	818 BTU/h	818 BTU/h	1024 BTU/h	1024 BTU/h
Operating Temperature	32°F to 113°F (0°C to 45°C)	32°F to 113°F (0°C to 45°C)	32°F to 113°F (0°C to 45°C)	32°F to 113°F (0°C to 45°C)
Storage Temperature	-40°F to 158°F (-40°C to 70°C)	-40°F to 158°F (-40°C to 70°C)	-40°F to 158°F (-40°C to 70°C)	-40°F to 158°F (-40°C to 70°C)
Humidity	5% to 90% RH non-condensing	5% to 90% RH non-condensing	5% to 90% RH non-condensing	5% to 90% RH non-condensing
Air-Flow Direction	front-to-back	front-to-back	front-to-back	front-to-back
Noise Level	55 dBA or less	55 dBA or less	58 dBA or less	58 dBA or less
Certification and Compliance				
	VCCI, RoHS2			
Warranty				
Fortinet Warranty	Limited lifetime ² warranty on all models			

¹ The maximum value. It varies depending on the settings.

² Fortinet Warranty Policy: <http://www.fortinet.com/doc/legal/EULA.pdf>

Ordering Information

PRODUCT	SKU	DESCRIPTION
FortiSwitch Models		
FortiSwitch FS-AX2340S-16P8MP2X	FS-AX2340S-16P8MP2X	L2 Ethernet Switch with 16× 10/100/1000BASE-T Ports(PoE/PoE+), 8× 100/1000/2.5GBASE-T Ports (PoE/PoE+/ PoE++), 2× 10G/1G SFP+ Ports, In-built Fan AC Power Supply
FortiSwitch FS-AX2340S-16T4X	FS-AX2340S-16T4X	L2 Ethernet Switch with 16× 10/100/1000BASE-T Ports, 2× 1G SFP Ports, 4× 10G/1G SFP+ Ports, Fanless, In-built AC Power Supply
FortiSwitch FS-AX2340S-24P4X	FS-AX2340S-24P4X	L2 Ethernet Switch with 24× 10/100/1000BASE-T Ports(PoE/PoE+), 2× 1G SFP Ports, 4× 10G/1G SFP+ Ports, In-built Fan AC Power Supply
FortiSwitch FS-AX2340S-24PH4X	FS-AX2340S-24PH4X	L2 Ethernet Switch with 24× 10/100/1000BASE-T Ports(PoE/PoE+), 2× 1G SFP Ports, 4× 10G/1G SFP+ Ports, Fanless, In-built AC Power Supply, Temperature condition strengthening model (-10degrees Celsius to 50 degrees Celsius)
FortiSwitch FS-AX2340S-24T4X	FS-AX2340S-24T4X	L2 Ethernet Switch with 24× 10/100/1000BASE-T Ports, 2× 1G SFP Ports, 4× 10G/1G SFP+ Ports, Fanless, In-built AC Power Supply
FortiSwitch FS-AX2340S-24TH4X	FS-AX2340S-24TH4X	L2 Ethernet Switch with 24× 10/100/1000BASE-T Ports, 2× 1G SFP Ports, 4× 10G/1G SFP+ Ports, Fanless, In-built AC Power Supply, Temperature condition strengthening model (-10degrees Celsius to 50 degrees Celsius)
FortiSwitch FS-AX2340S-48P4X	FS-AX2340S-48P4X	L2 Ethernet Switch with 48× 10/100/1000BASE-T Ports(PoE/PoE+), 2× 1G SFP Ports, 4× 10G/1G SFP+ Ports, In-built Fan AC Power Supply
FortiSwitch FS-AX2340S-48T4X	FS-AX2340S-48T4X	L2 Ethernet Switch with 48× 10/100/1000BASE-T Ports, 2× 1G SFP Ports, 4× 10G/1G SFP+ Ports, In-built Fan AC Power Supply
FortiSwitch FS-AX2630S-24P4XW	FS-AX2630S-24P4XW	L2 Ethernet Switch with 24× 10/100/1000BASE-T Ports(PoE/PoE+), 2× 1G SFP Ports, 4× 10G/1G SFP+ Ports(can be used for Stack), In-built Fan, 1x AC Power Supply is included (1x Power Supply Slot for redundancy)
FortiSwitch FS-AX2630S-24T4XW	FS-AX2630S-24T4XW	L2 Ethernet Switch with 24× 10/100/1000BASE-T Ports, 2× 1G SFP Ports, 4× 10G/1G SFP+ Ports (can be used for Stack), Fanless, 1x Fixed AC Power Supply + 1x Power Supply Slot
FortiSwitch FS-AX2630S-48P4XW	FS-AX2630S-48P4XW	L2 Ethernet Switch with 48× 10/100/1000BASE-T Ports(PoE/PoE+), 2× 1G SFP Ports, 4× 10G/1G SFP+ Ports(can be used for Stack), In-built Fan, 1x AC Power Supply is included (1x Power Supply Slot for redundancy)
FortiSwitch FS-AX2630S-48T4XW	FS-AX2630S-48T4XW	L2 Ethernet Switch with 48× 10/100/1000BASE-T Ports, 2× 1G SFP Ports, 4× 10G/1G SFP+ Ports (can be used for Stack), In-built Fan, 1x Fixed AC Power Supply + 1x Power Supply Slot
FortiSwitch FS-AX3660S-24T4X	FS-AX3660S-24T4X	L2/L3 Ethernet Switch with 24× 10/100/1000BASE-T Ports ¹ , 4× 10G/1G SFP+ Uplinks, 2× 40G (for Stack). In-built 4x Fan and 2x Power Supply. L3 Light software is included. (L3 Advanced Option License is required for OSPF, BGP, VRF, PBR, VXLAN, high-speed RING).
FortiSwitch FS-AX3660S-24T4XW	FS-AX3660S-24T4XW	L2/L3 Ethernet Switch with 24× 10/100/1000BASE-T Ports ¹ , 4× 10G/1G SFP+ Uplinks, 2× 40G(for Stack). Fan and Power Supply are not included. (need order of Fan and Power Supply separately) L3 Light software is included. (L3 Advanced Option License is required for OSPF, BGP, VRF, PBR, VXLAN and high-speed RING)
FortiSwitch FS-AX3660S-48T4XW	FS-AX3660S-48T4XW	L2/L3 Ethernet Switch with 48× 10/100/1000BASE-T Ports ¹ , 4× 10G/1G SFP+ Uplinks, 2× 40G(for Stack). Fan and Power Supply are not included. (need order of Fan and Power Supply separately). L3 Light software is included. (L3 Advanced Option License is required for OSPF, BGP, VRF, PBR, VXLAN and high-speed RING).
FortiSwitch FS-AX3660S-24S8XW	FS-AX3660S-24S8XW	L2/L3 Ethernet Switch with 24× 1G SFP Ports, 12× 10/100/1000BASE-T Ports ¹ , 8× 10G SFP+ Ports, 2× 40G (for Stack). Fan and Power Supply are not included. (need order of Fan and Power Supply separately). L3 Light software is included. (L3 Advanced Option License is required for OSPF, BGP, VRF, PBR, VXLAN and high-speed RING).
FortiSwitch FS-AX3660S-48XT4QW	FS-AX3660S-48XT4QW	L2/L3 Ethernet Switch with 44× 100/1G/10GBASE-T Ports ¹ , 4× 10G/1G SFP+ Ports, 4× 100G/40G QSFP28 Ports. Fan and Power Supply are not included. (need order of Fan and Power Supply separately). L3 Light software is included. (L3 Advanced Option License is required for OSPF, BGP, VRF, PBR, VXLAN and high-speed RING).
FortiSwitch FS-AX3660S-48X4QW	FS-AX3660S-48X4QW	L2/L3 Ethernet Switch with 48× 10G/1G SFP+ Ports, 4× 100G/40G QSFP28 Ports. Fan and Power Supply are not included. (need order of Fan and Power Supply separately). Sync-E capable (need license). L3 Light software is included. (L3 Advanced Option License is required for OSPF, BGP, VRF, PBR, VXLAN and high-speed RING).
FortiSwitch FS-AX624F	FS-AX624F	Stacking capable switch with 24×5G RJ45 ports, 4×25G SFP28 Ports. Fan and AC Power Supply are included.
FortiSwitch FS-AX624F-FPOE	FS-AX624F-FPOE	Stacking capable switch with 24×5G RJ45 Ports (PoE/PoE+/PoE++), 4×25G SFP28 Ports. Fan and AC Power Supply are included
FortiSwitch FS-AX648F	FS-AX648F	Stacking capable switch with 32×2.5G + 16×5G RJ45 Ports, 8×25G SFP28 Ports. Fan and AC Power Supply are included.
FortiSwitch FS-AX648F-FPOE	FS-AX648F-FPOE	Stacking capable switch with 32×2.5G + 16×5G RJ45 Ports (PoE/PoE+/PoE++), 8×25G SFP28 Ports. Fan and AC Power Supply are included.



Ordering Information

PRODUCT	SKU	DESCRIPTION
Licenses		
FortiSwitch Advanced Features License	FS-AXP3660-F1-24T	L3 Advanced Option License: for FS-AX3660S-24T4X, FS-AX3660S-24T4XW, FS-AX3660S-24S8XW.
	FS-AXP3660-F1-48T	L3 Advanced Option License: for FS-AX3660S-48T4XW.
	FS-AXP3660-F1-48X	L3 Advanced Option License: for FS-AX3660S-48X4QW, FS-AX3660S-48X4QW.
	FS-AXP3660-F4	Sync-E Option License for FS-AX3660S-48X4QW.
Accessories		
Hot Swappable AC Power Supply	FS-AXF2630-PS26AF15	Hot-swappable AC-power AC100/200V for FS-AX2630S-24T4XW and FS-AX2630S-48T4XW
	FS-AXF2630-PS26AF60	Hot-swappable AC-power AC100/200V for FS-AX2630S-24P4XW
	FS-AXF2630-PS26AF92	Hot-swappable AC-power AC100/200V for FS-AX2630S-48P4XW
	FS-600-PSU-350	Spare AC power supply for FS-AX624F and FS-AX648F (power cord not included).
	FS-600-PSU-1200	Spare AC power supply for FS-AX624F-FPOE and FS-AX648F-FPOE (power cord not included).
Hot Swappable DC Power Supply	FS-AXF2630-PS26DF15	Hot-swappable DC-power DC-48V for FS-AX2630S-24T4XW and FS-AX2630S-48T4XW
Redundant AC Power Supply	FS-AXF2430-PSA06	Hot-swappable AC-power AC100-240V (for front-to-back, front air intake and rear exhaust) for FS-AX3660S Series.
	FS-AXF2430-PSA06R	Hot-swappable AC-power AC100-240V (for back-to-front, rear air intake and front exhaust) for FS-AX3660S Series.
Redundant DC Power Supply	FS-AXF2430-PSD06	Hot-swappable DC-power DC-48V to -60V (for front-to-back, front air intake and rear exhaust) for FS-AX3660S Series.
Fan Unit	FS-AXF2430-FAN04	Hot-swappable fan unit (for front-to-back, front air intake and rear exhaust) for FS-AX3660S Series.
	FS-AXF2430-FAN04R	Hot-swappable fan unit (for back-to-front, rear air intake and front exhaust) For FS-AX3660S Series.

¹ Half Duplex is not supported.

ACCESSORIES	SKU	DESCRIPTION	FS-AX2340S	FS-AX2630S	FS-AX3660S	FS-AX800F
Transceiver Modules						
1GE SFP ZX transceiver module	FR-TRAN-ZX	1GE SFP ZX transceiver module for systems with SFP and SFP/SFP+ slots.	☑	☑	☑	—
1GE SFP RJ45 transceiver module	FN-TRAN-GC	1GE SFP RJ45 transceiver module for systems with SFP and SFP/SFP+ slots.	☑ ¹	☑ ¹	☑ ²	—
1GE SFP SX transceiver module	FN-TRAN-SX	1GE SFP SX transceiver module for systems with SFP and SFP/SFP+ slots.	☑	☑	☑	—
1GE SFP LX transceiver module	FN-TRAN-LX	1GE SFP LX transceiver module, 10km range, -40C to 85C, over SMF, for systems with SFP and SFP/SFP+ slots.	☑	☑	☑	—
10GE SFP+ transceiver module, short range	FN-TRAN-SFP+SR	10GE SFP+ transceiver module, short range for systems with SFP+ and SFP/SFP+ slots.	☑	☑	☑	☑
10 GE SFP+ transceiver module, long range OM1 MMF	FN-TRAN-SFP+LR	10 GE SFP+ transceiver module, long range OM1 MMF, for systems with SFP+ and SFP/SFP+ slots.	☑	☑	☑	☑
10Gbase-ER SFP+ transceiver module	FN-TRAN-SFP+ER	10Gbase-ER SFP+ transceiver module, 1550nm Single Mode, 40km range for systems with SFP+ slots.	☑	☑	☑	☑
10GE SFP+ transceiver module, 80KM extreme long range	FN-TRAN-SFP+ZR	10GE SFP+ transceiver module, 80KM extreme long range for systems with SFP+ and SFP/SFP+ slots.	—	—	☑	☑
10GE SFP+ transceiver module, short range, BiDi	FN-TRAN-SFP+BD27	10 GE SFP+ BiDi transceiver module, long range 30km, single LC connector, SMF, TX:1271nm/ RX:1331nm, -5°C to 85°C, for systems with SFP+ slots (connects to FN-TRAN-SFP+BD33, ordered separately).	—	—	—	☑
10GE SFP+ transceiver module, short range, BiDi	FN-TRAN-SFP+BD33	10 GE SFP+ BiDi transceiver module, long range 30km, single LC connector, SMF, TX:1331nm/ RX:1271nm, -5°C to 85°C, for systems with SFP+ slots (connects to FN-TRAN-SFP+BD27, ordered separately).	—	—	—	☑
25 GE/10 GE dual rate SFP28 Transceiver module, short range	FN-TRAN-SFP28-SR	25 GE SFP28 transceiver module, short range 100m, LC connector, MMF, 850nm, 0°C to 70°C, for systems with SFP28 slots.	—	—	—	☑
25 GE/10 GE dual rate SFP28 Transceiver module, long range	FN-TRAN-SFP28-LR	25 GE SFP28 transceiver module, long range 10km, LC connector, SMF, 1310nm, 0°C to 70°C, for systems with SFP28 slots.	—	—	—	☑
40GE QSFP+ transceiver module, short range	FN-TRAN-QSFP+SR	40GE QSFP+ transceiver module, short range for systems with QSFP+ slots.	—	—	☑	—
40GE QSFP+ transceiver module, long range	FN-TRAN-QSFP+LR	40GE QSFP+ transceiver module, 10km long range for systems with QSFP+ slots.	—	—	☑	—



Ordering Information

ACCESSORIES	SKU	DESCRIPTION	FS-AX2340S	FS-AX2630S	FS-AX3660S	FS-AX600F
Transceiver Modules						
100GE QSFP28 transceiver module	FN-TRAN-QSFP28-SR	100GE QSFP28 transceiver module, 4 channel parallel fiber, short range for systems with QSFP28 slots.	—	—	☑ ³	—
100 GE QSFP28 transceiver module, long range	FN-TRAN-QSFP28-LR	100GE QSFP28 transceiver module, 4 channel parallel fiber, 10km long range for systems with QSFP28 slots.	—	—	☑ ³	—
100 GE QSFP28 transceiver module	FN-TRAN-QSFP28-CWDM4	100GE QSFP28 transceiver module, LC connectors, 2KM for systems with QSFP28 slots.	—	—	☑ ³	—
Cables						
10GE SFP+ Passive Direct Attach Cable	FN-CABLE-SFP+1	10 GE SFP+ passive direct attach cable, 1m, 0°C to 70°C, transceivers included, for systems with SFP/SFP+ slots.	☑	☑	☑	☑
10GE SFP+ Passive Direct Attach Cable	FN-CABLE-SFP+3	10 GE SFP+ passive direct attach cable, 3m, 0°C to 70°C, transceivers included, for systems with SFP/SFP+ slots.	☑	☑	☑	☑
10GE SFP+ Passive Direct Attach Cable	FN-CABLE-SFP+5	10 GE SFP+ passive direct attach cable, 5m, 0°C to 70°C, transceivers included, for systems with SFP/SFP+ slots.	☑	☑	☑	☑
25GE SFP+ Passive Direct Attach Cable	FN-CABLE-SFP28-1	25 GE SFP28 passive direct attach cable, 1m, -40°C to 85°C, transceivers included, for systems with SFP28 slots.	—	—	—	☑
25GE SFP+ Passive Direct Attach Cable	FN-CABLE-SFP28-3	25 GE SFP28 passive direct attach cable, 3m, -40°C to 85°C, transceivers included, for systems with SFP28 slots.	—	—	—	☑
25GE SFP+ Passive Direct Attach Cable	FN-CABLE-SFP28-5	25 GE SFP28 passive direct attach cable, 5m, -40°C to 85°C, transceivers included, for systems with SFP28 slots.	—	—	—	☑
40GE QSFP+ Passive Direct Attach Cable	FN-CABLE-QSFP+1	40GE QSFP+ Passive Direct Attach Cable, 1m for Systems with QSFP+ slots.	—	—	☑	—
40GE QSFP+ Passive Direct Attach Cable	FN-CABLE-QSFP+3	40GE QSFP+ Passive Direct Attach Cable, 3m for Systems with QSFP+ slots.	—	—	☑	—
40GE QSFP+ Passive Direct Attach Cable	FN-CABLE-QSFP+5	40GE QSFP+ Passive Direct Attach Cable, 5m for Systems with QSFP+ slots.	—	—	☑	—

¹ Support 1000BASE-T only. | ² Support 24S8XW and 48X4QW only. | ³ Support 48XT4QW and 48X4QW only.



USB Memory

Note the following when using a USB memory with the FS-AX2340S, FS-AX2630S, and FS-AX600F series.

- 2GB/4GB/8GB/16GB/32GB USB supported sizes
- FileSystem: FAT32
- Recommendation: Elecom Co., Ltd. MF-SU3A032GSV(32GB)

Compatible Transceivers

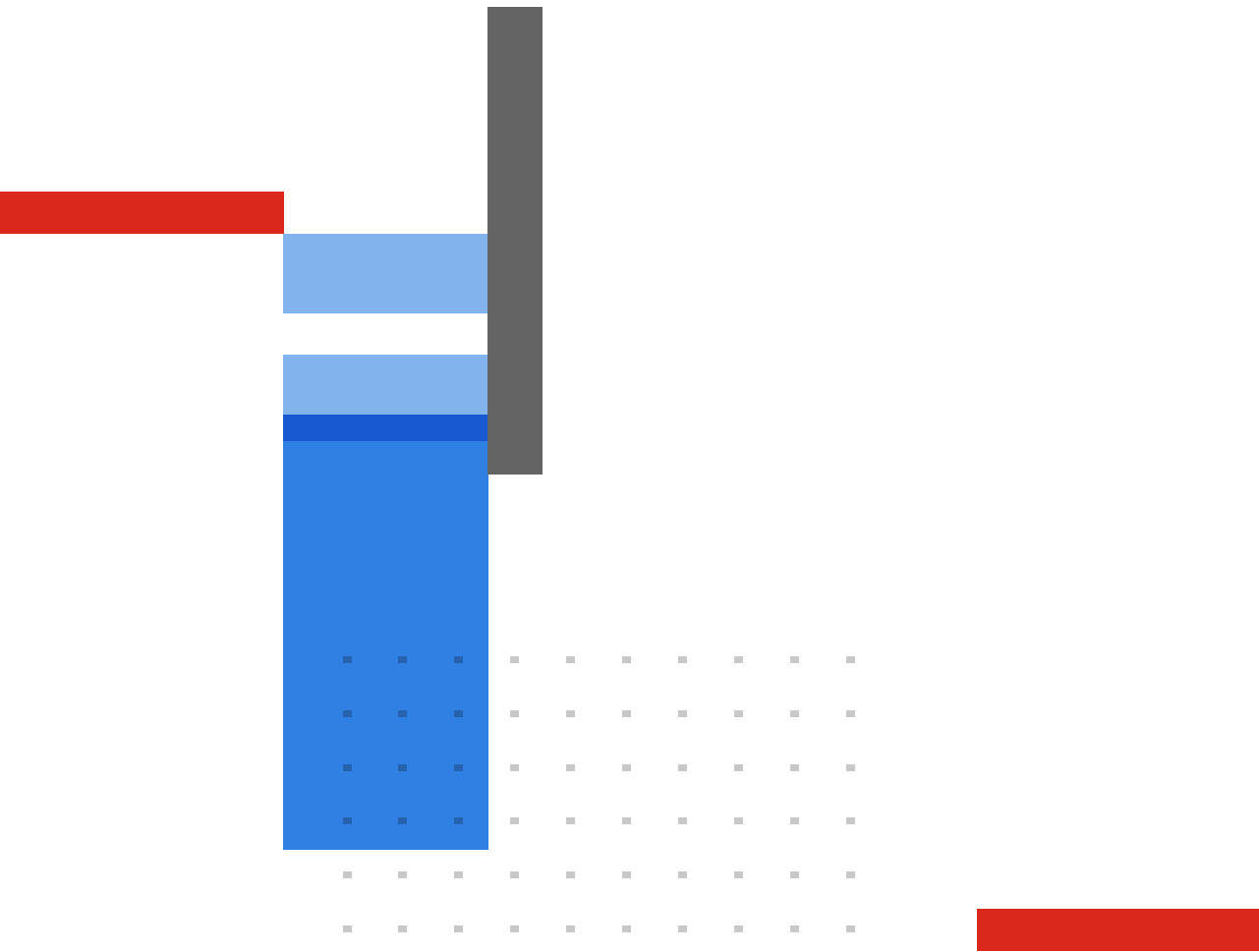
Transceiver specifications can be found in the Fortinet Transceivers datasheet on the Fortinet website [here](#).

Please refer to the FortiSwitch Compatibility Matrix [here](#).



Fortinet Corporate Social Responsibility Policy

Fortinet is committed to driving progress and sustainability for all through cybersecurity, with respect for human rights and ethical business practices, making possible a digital world you can always trust. You represent and warrant to Fortinet that you will not use Fortinet's products and services to engage in, or support in any way, violations or abuses of human rights, including those involving illegal censorship, surveillance, detention, or excessive use of force. Users of Fortinet products are required to comply with the [Fortinet EULA](#) and report any suspected violations of the EULA via the procedures outlined in the [Fortinet Whistleblower Policy](#).



www.fortinet.com

Copyright © 2025 Fortinet, Inc. All rights reserved. Fortinet®, FortiGate®, FortiCare® and FortiGuard®, and certain other marks are registered trademarks of Fortinet, Inc., and other Fortinet names herein may also be registered and/or common law trademarks of Fortinet. All other product or company names may be trademarks of their respective owners. Performance and other metrics contained herein were attained in internal lab tests under ideal conditions, and actual performance and other results may vary. Network variables, different network environments and other conditions may affect performance results. Nothing herein represents any binding commitment by Fortinet, and Fortinet disclaims all warranties, whether express or implied, except to the extent Fortinet enters a binding written contract, signed by Fortinet's SVP Legal and above, with a purchaser that expressly warrants that the identified product will perform according to certain expressly-identified performance metrics and, in such event, only the specific performance metrics expressly identified in such binding written contract shall be binding on Fortinet. For absolute clarity, any such warranty will be limited to performance in the same ideal conditions as in Fortinet's internal lab tests. Fortinet disclaims in full any covenants, representations, and guarantees pursuant hereto, whether express or implied. Fortinet reserves the right to change, modify, transfer, or otherwise revise this publication without notice, and the most current version of the publication shall be applicable.