

# **HPE Aruba Networking**

## **AP-730-CVR-20 AP Cover Kit**

Installation Guide



**Hewlett Packard**  
Enterprise

## Copyright Information

© Copyright 2024 Hewlett Packard Enterprise Development LP.

Hewlett Packard Enterprise Company  
Attn: General Counsel  
WW Corporate Headquarters  
1701 E Mossy Oaks Rd, Spring, TX 77389  
United States of America



The AP-730-CVR-20 AP Cover Kit clips onto the exterior of the access point, offering a practical and aesthetic solution for concealment and customization.

## Package Contents

**Table 1:** *Package Contents*

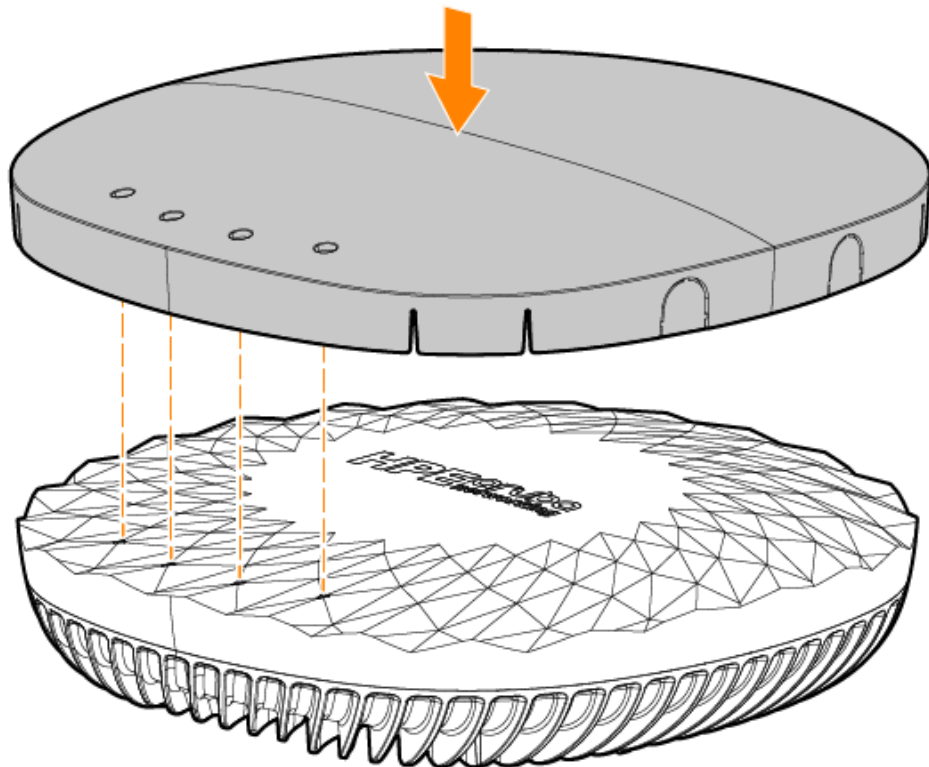
Item	Quantity
AP-730-CVR-20 AP Cover Kit	20

## Installing the AP-730-CVR-20 AP Cover

To install the AP-730-CVR-20 AP cover to the AP-735 access point, follow these steps:

1. Align the holes on the AP-730-CVR-20 AP cover with the LEDs on the access point, then press the cover onto the access point until all corners are securely clipped into place.

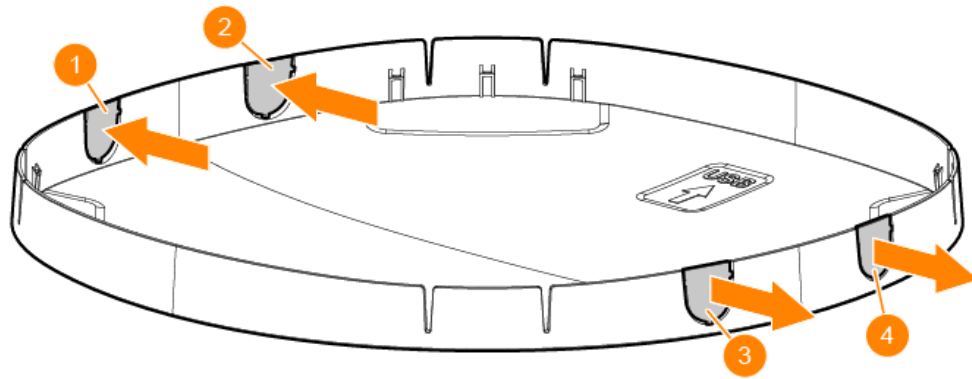
**Figure 1** *Installing AP-730-CVR-20 AP cover to the AP-735 access point*



To install the AP-730-CVR-20 AP cover to the AP-734 access point, follow these steps:

1. Remove the four tabs from the AP-730-CVR-20 AP cover with a pliers.

**Figure 2** Four removable tabs on the AP-730-CVR-20 AP cover



2. Align the holes on the AP-730-CVR-20 AP cover with the LEDs on the access point, then press the cover onto the access point until all corners are securely clipped into place.

**Figure 3** Installing AP-730-CVR-20 AP cover to the AP-734 access point

